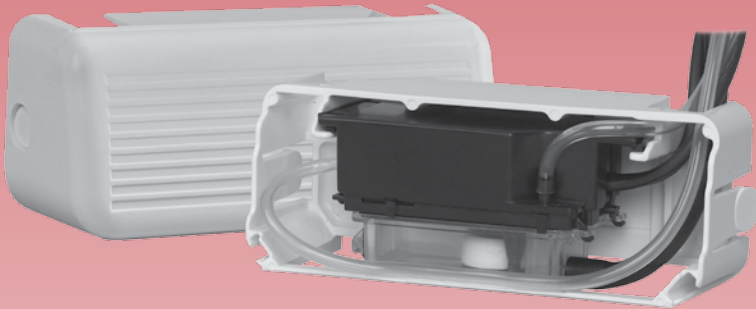


## EC-OP-K Series



### Applications

- Removes condensate from wall mounted, ceiling and fan coil air conditioning equipment up to 34,000 BTU

### Features

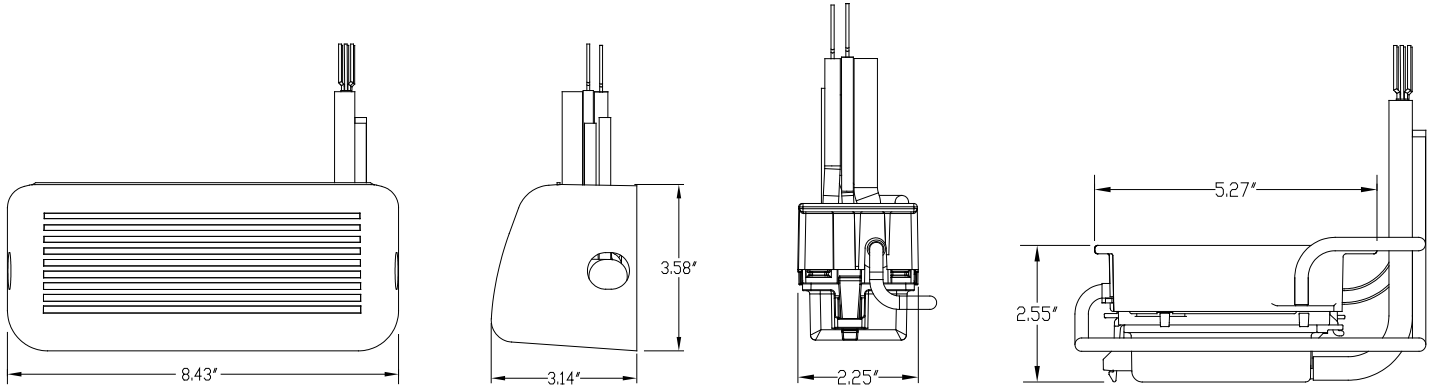
- Pump float retainer for easy serviceability
- Clear reservoir for visual inspection of water level, float and filter
- 8A resistive – 250 V alarm contact
- 5/16" inlet tubing with universal adapter
- 5/32" discharge tubing with 1/4" adapter
- 5/32" discharge tubing
- Ambient temperature range 32 ° - 104 °F
- 176 °F thermal protection
- Safety alarm ready, suitable for Building Automation System
- Easy to install mounting bracket (kit only)
- Extremely quiet
- Stylish pump unit cover – fits any décor (kit only)
- Easy to service without removing from the wall
- Requires no space inside the wall mount air conditioner

### Construction

- Material — Flame retardant ABS
- Fuse — 3A max  
(Recommended, not included)
- Filter Screen — Stainless steel

**LittleGIANT.**

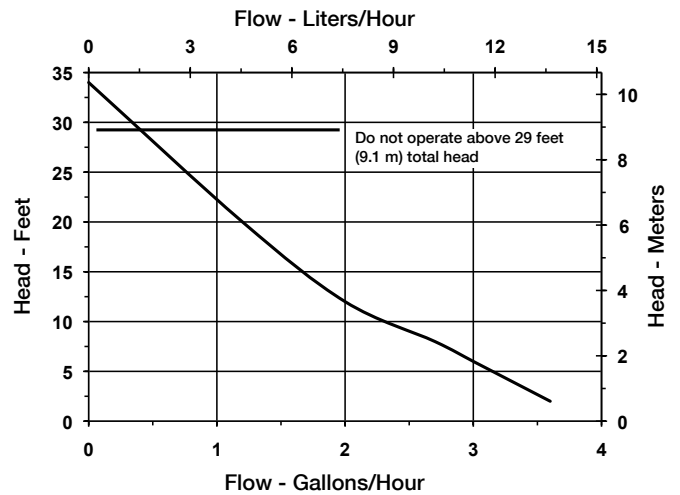
## TP Series



## Specifications

Item No.	Model No.	Volts	Hertz	Amps	Watts	Performance GPH @ Height						Shut Off	PSI	Weight
						2'	4'	6'	8'	12'	20'			
553712	EC-OP-K	230	50/60	0.1	20	3.6	3.3	3	2.7	2	1.2	34.77'	15.2	3

## Performance Data



**Franklin Electric**

P.O. Box 12010  
 Oklahoma City, OK 73157-2010  
 Phone: 1.800.701.7894  
 Fax: 1.800.678.7867  
 www.LittleGiantPump.com