

SPK SERIES - SUMP PUMP SYSTEM

APPLICATIONS

The SPK series pump packages are ideally suited for basement sumps and flood control applications

FEATURES

- Prepackaged system (assembly required) has everything you need for an installation in one SKU; SPK-8CIA-1A even comes with a tank alert alarm system for peace of mind
- The system includes the time tested Little Giant 6 or Little Giant 8 Series of sump pump paired with the Little Giant diaphragm switch
- Pumps include extension feet to keep the pump off the bottom of the basin to prevent ingestion of debris for long pump life—no additional stands needed for the pump
- 18"x22" polypropylene basin with 4" Adapt-A-Flex grommet included will yield many years of trouble-free service and easy installation
- Clear view check valve included for easy inspection and diagnostics along with the required NPT threaded 1-1/2" discharge pipe
- Bolt on polypropylene cover included for a simple and secure installation



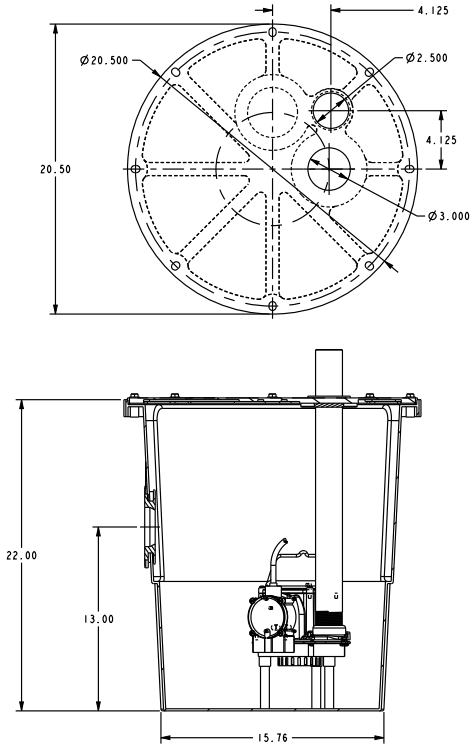
SERIES SPECIFICATIONS

Item No.	Model	Discharge	HP	Volts	Switch Type/ Operation	Pump Item No.	Pump Model No.	Check Valve Item No.	Alarm Item No.
506081	SPK-6CIA	1-1/2"	1/3	115	Integral Diaphragm Switch	506162	6-CIA	113356	-
508100	SPK-8CIA-1A	1-1/2"	4/10	115	Integral Diaphragm Switch	508159	8-CIA	113356	950059

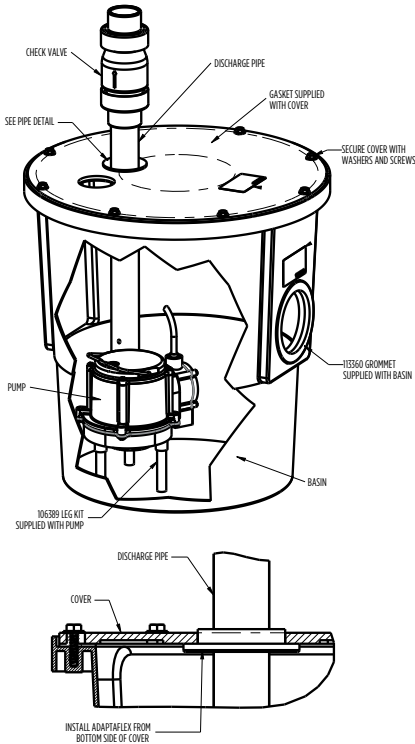
SUMP PUMPS

SPK SERIES - SUMP PUMP SYSTEM

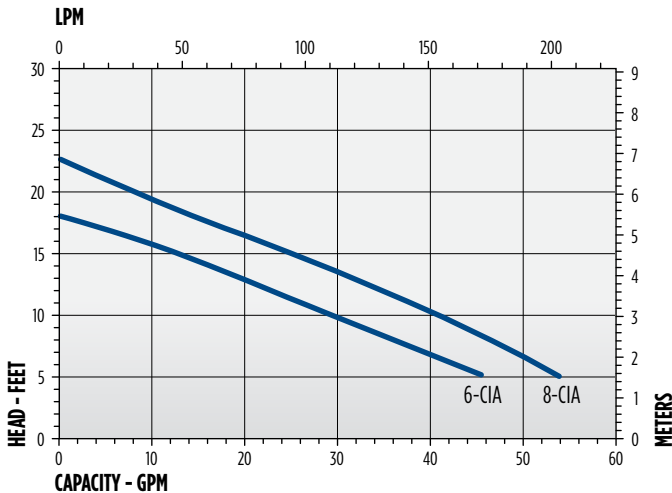
ENGINEERING DATA



INSTALLATION DATA



PERFORMANCE DATA



PUMP CONSTRUCTION

Motor Housing	Epoxy coated cast iron
Impeller Material	Nylon; Polypropylene
Impeller Type	Non-clog
Volute	Polypropylene
Motor Shaft	Cold-rolled steel
Mechanical Shaft Seal	Nitrile with carbon and ceramic faces
Fasteners	Stainless steel
Bearings	Upper and lower: Sintered, iron, flanged sleeve
Power Cord	18-3, SJTW