

CENTRIFUGAL PUMPS

CLOSE-COUPLED LGDR SERIES

Little**GIANT**®

FEATURES

- Back pull-out design provides access to internal parts without disturbing the plumbing
- Robust cast iron volute standard
- Volute discharge can be rotated in 90° increments with top vertical standard from the factory
- Multiple 1/4" NPT drain/pressure ports enable winterizing no matter the volute orientation
- Enclosed impeller design for increased efficiencies; thermoplastic and stainless steel options
- Multiple mechanical seal construction materials to accommodate handling various fluids
- Every pump unit factory wet tested to insure customer satisfaction
- Suitable for horizontal or vertical (motor end up) installation
- NEMA standard motor options include:
 - Rotation: right hand; clockwise when viewed from motor end
 - Maximum fluid handling temperature 180 °F (82 °C)



APPLICATIONS

- Water circulation
- Booster service
- Liquid transfer
- Spraying systems
- Jockey pump service
- General purpose pumping

Series	HP Range	Suction	Discharge	Max Flow	Max Head
LGDR1	1/2 - 1	1-1/4" NPT	1" NPT	65 GPM	115'
LGDR2	1 - 2	1-1/2" NPT	1-1/4" NPT	90 GPM	130'

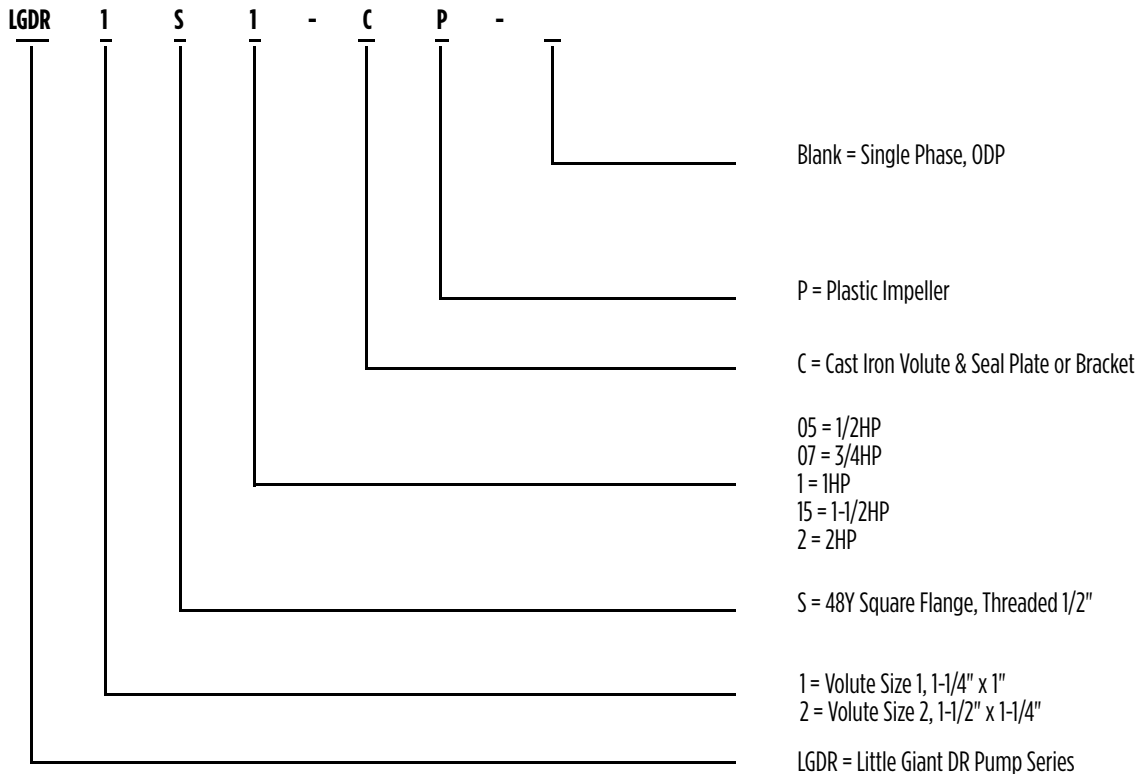
CENTRIFUGAL PUMPS

CLOSE-COUPLED LGDR SERIES

LittleGIANT®

☰ MENU

NOMENCLATURE



NOTE: Pump construction options may vary by pump series and motor configuration

TABLE OF CONTENTS

LGDR1 & LGDR2 Series Quick Select Pump Page Finder

Series	Volute	Impeller	Seal Type	Flow Range (GPM)	Head Range (ft)	HP Range	Suc. x Disch.	Performance, Amperage, and Ordering Info.	Repair Parts	Dimensions	Master Performance Chart	Motors
LGDR1S-CP	CI	PL	1	20-60	30-105	0.5-1	1.25" x 1.00"	4	6	8	3	9
LGDR2S-CS	CI	SS	1	30-90	25-127	1-2	2.00" x 1.50"	5	7	8		

CENTRIFUGAL PUMPS

CLOSE-COUPLED LGDR SERIES

LittleGIANT®

☰ MENU

MASTER PERFORMANCE

DR1 Series: 1-1/4" Suction x 1" Discharge																		
Model No.	PEI	Volute	Impeller	Seal Type	Fluid Max °F	Motor	Capacity in GPM at Total Feet of Head Indicated										Max Press. (PSI)	
							30	40	50	60	70	80	90	100	110	120		
LGDRIS05-CP	0.90	CI	PL	1	120	48Y	59	53	46	39	29	-	-	-	-	-	-	37
LGDRIS07-CP	0.90	CI	PL	1	120	48Y	-	59	54	47	40	31	21	-	-	-	-	42
LGDRIS1-CP	0.90	CI	PL	1	120	48Y	-	-	58	53	47	40	32	24	-	-	-	48

DR2 Series: 1-1/2" Suction x 1-1/4" Discharge																		
Model No.	PEI	Volute	Impeller	Seal Type	Fluid Max °F	Motor	Capacity in GPM at Total Feet of Head Indicated										Max Press. (PSI)	
							30	40	50	60	70	80	90	100	110	120		
LGDR2S1-CS	0.83	CI	SS	1	120	48Y	86	79	70	59	44	-	-	-	-	-	-	34
LGDR2S15-CS	0.83	CI	SS	1	120	48Y	-	-	88	82	74	65	54	41	-	-	-	47
LGDR2S2-CS	0.83	CI	SS	1	120	48Y	-	-	-	88	82	76	68	60	51	40	-	57

MATERIALS OF CONSTRUCTION

LGDR SERIES

Materials of Construction	Volute	Impeller	Seal Plate	Volute O-ring	Motor Bracket	Wear Ring	Shaft Seal	Shaft Coupling
LGDRIS-CP	Cast Iron, ASTM-A48, Class 30	PPE+PS 30% GF*	Cast Iron Class 25 ASTM A48	Nitrile	N/A	300 Series SS	PHEN/CER x BUNA-SS	N/A
LGDR2S-CS	Cast Iron, ASTM-A48, Class 30	304 Stainless Steel	Cast Iron Class 25 ASTM A48	Nitrile	N/A	300 Series SS	PHEN/CER x BUNA-SS	N/A

* Polyphenylene Ether Polystyrene Modified

Motor Configurations		
LGDRIS & LGDR2S	48Y	Square Flange with 1/2" threaded SS shaft, impeller mounts directly on motor shaft

CENTRIFUGAL PUMPS

CLOSE-COUPLED LGDR SERIES

LittleGIANT®

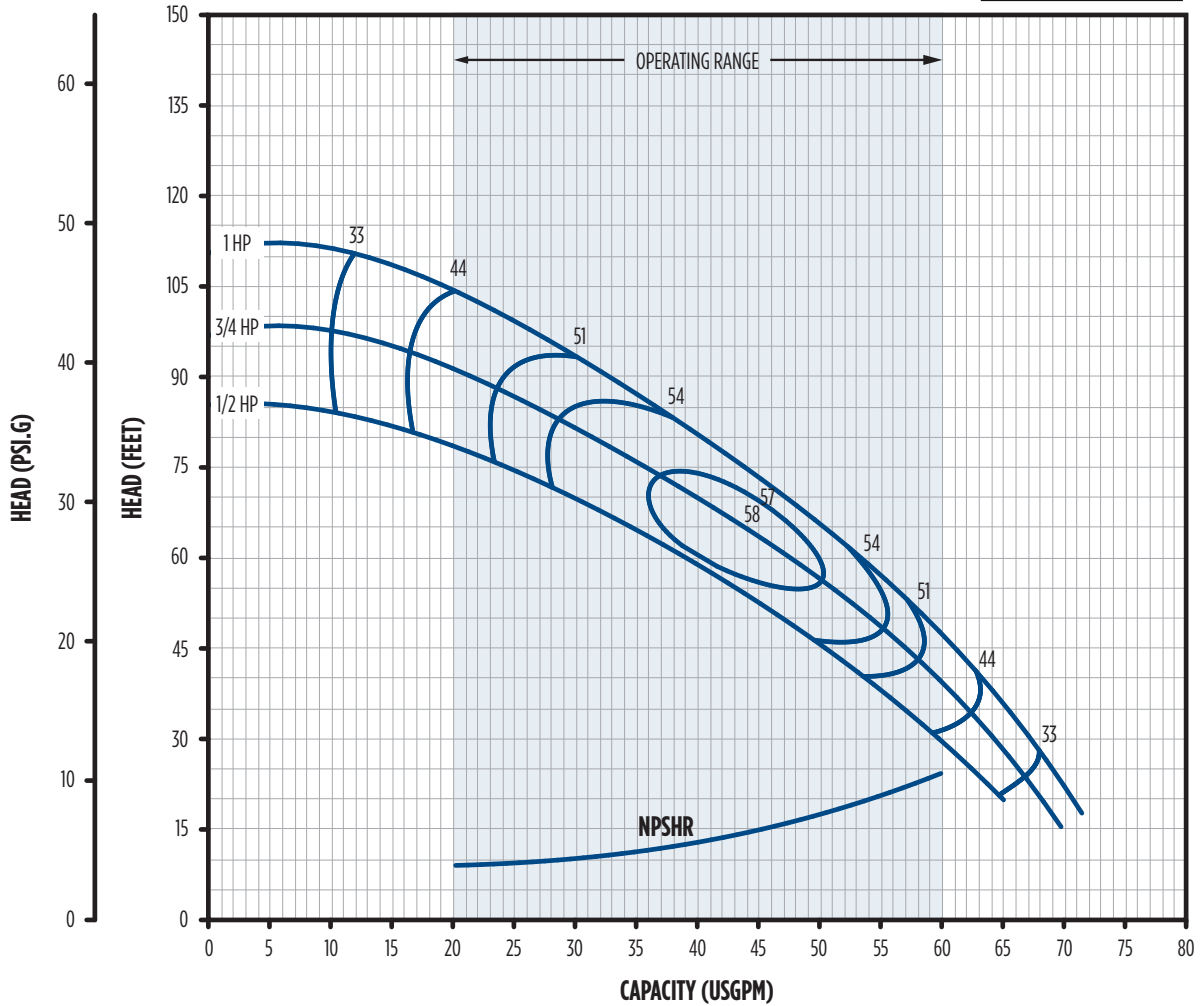
MENU

PERFORMANCE

LGDRIS-CP

PEI_{CL} Number

0.90



LGDRIS-CP	HP	PEI	Volute	Impeller	Seal Type	Fluid Max °F	Capacity in GPM at Total Feet of Head Indicated										Max (PSI)
							30	40	50	60	70	80	90	100	110	120	
LGDRIS05-CP	1/2	0.90	CI	PL	1	120	59.3	53.3	46.6	38.9	29.5	-	-	-	-	-	37.0
LGDRIS07-CP	3/4	0.90	CI	PL	1	120	63.9	58.9	53.5	47.5	40.6	32.3	20.9	-	-	-	42.0
LGDRIS1-CP	1	0.90	CI	PL	1	120	-	63.2	58.4	53.2	47.4	40.9	33.3	23.7	-	-	48.0

Enclosure	RPM	Phase	Voltage	HP	S.F.	S.F. Amps			Imp. Dia.	Order No.	Model No.	Wt. (lbs)
						115	230	460				
ODP	3600	1	115/230	1/2	1.90	12.4	6.1	-	4.70	558255	LGDRIS05-CP	36
				3/4	1.65	14.8	7.3	-	5.00	558256	LGDRIS07-CP	39
				1	1.65	19.9	9.9	-	5.36	558257	LGDRIS1-CP	43

Volute	CI	Cast Iron, ASTM-A48, Class 30, 1-1/4" x 1"
Impeller	PL	Polyphenylene Ether Polystyrene Modified (PPE+PS 30%GF)
Mechanical Seal Types	1	Phenolic x Ceramic x Nitrile x SS
Motor Configurations	48Y	Square Flange with 1/2" threaded SS shaft, impeller mounts directly on motor shaft

CENTRIFUGAL PUMPS

CLOSE-COUPLED LGDR SERIES

LittleGIANT®

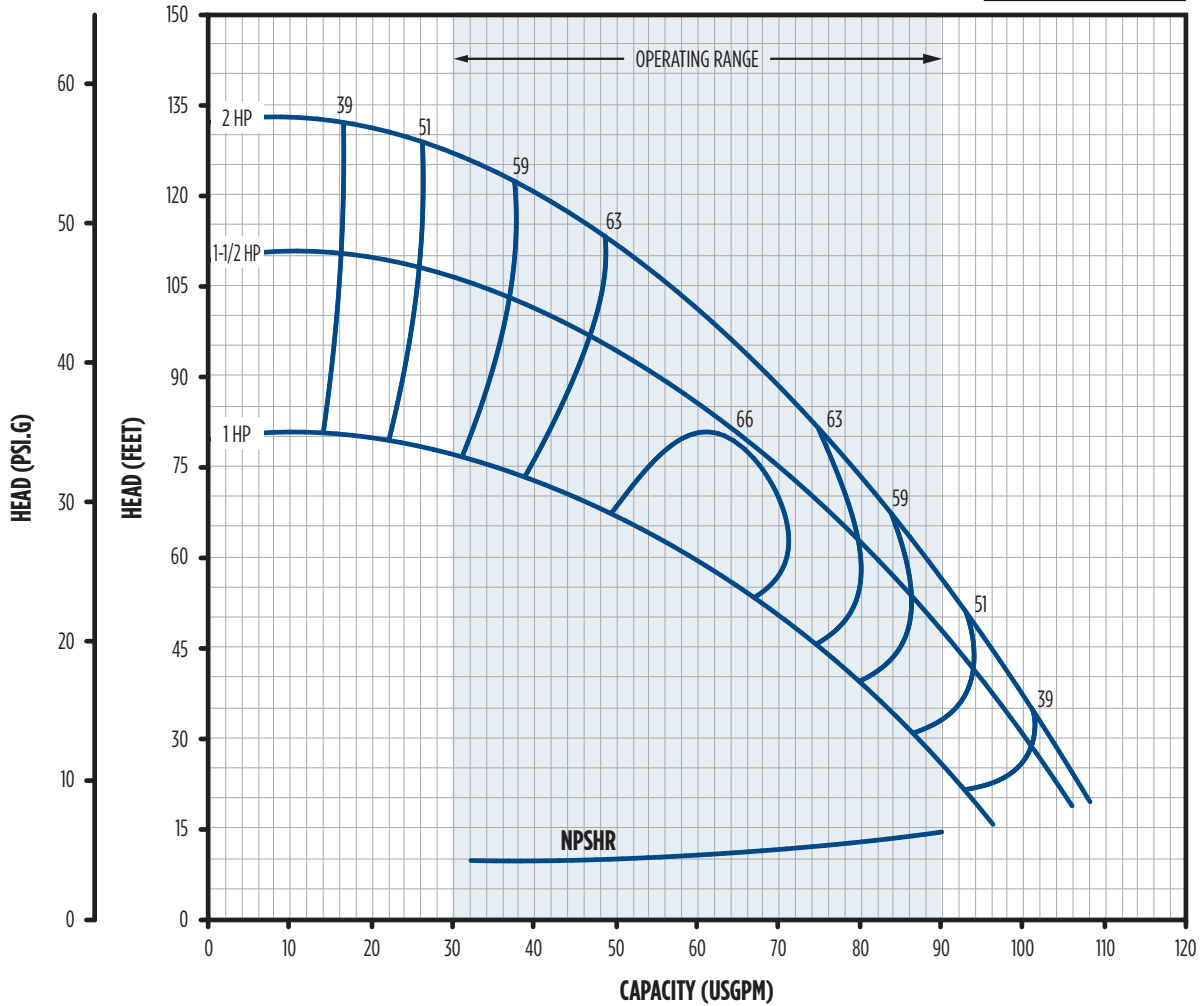
MENU

PERFORMANCE

LGDR2S-CS

PEI_{CL} Number

0.83



LGDR2S-CS	HP	PEI	Volute	Impeller	Seal Type	Fluid Max °F	Capacity in GPM at Total Feet of Head Indicated										Max (PSI)
							30	40	50	60	70	80	90	100	110	120	
LGDR2S1-CS	1	0.83	CI	SS	1	120	86.6	78.7	69.8	59.2	45.4	-	-	-	-	-	34.5
LGDR2S1S-CS	1-1/2	0.83	CI	SS	1	120	-	94.3	88.1	81.4	73.9	65.5	55.4	42.4	-	-	47.4
LGDR2S2-CS	2	0.83	CI	SS	1	120	-	-	93.3	87.8	82.0	75.7	68.8	61.0	51.9	40.5	57.3

Enclosure	RPM	Phase	Voltage	HP	S.F.	S.F. Amps			Imp. Dia.	Order No.	Model No.	Wt. (lbs)
						115	230	460				
ODP	3600	1	115/230	1	1.65	19.9	9.9	-	4.56	558258	LGDR2S1-CS	46
				1-1/2	1.47	24.0	12.1	-	5.25	558259	LGDR2S1S-CS	46
				2	1.30	-	11.2	-	5.75	558260	LGDR2S2-CS	54

Volute	CI	Cast Iron, ASTM-A48, Class 30, 1-1/2" x 1-1/4"
Impeller	SS	Stainless Steel
Mechanical Seal Types	1	Phenolic x Ceramic x Nitrile x SS
Motor Configurations	48Y	Square Flange with 1/2" threaded SS shaft, impeller mounts directly on motor shaft

CENTRIFUGAL PUMPS

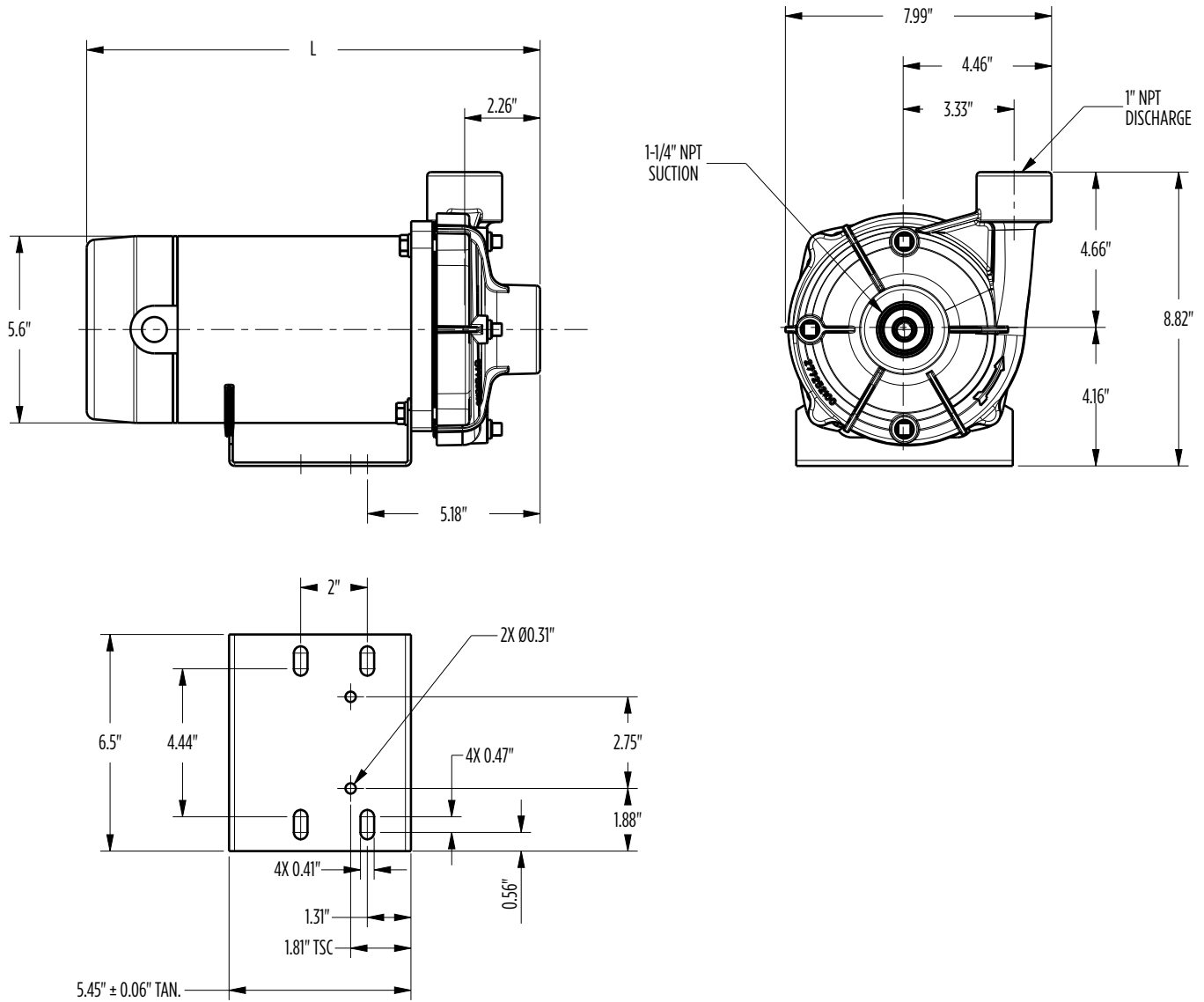
CLOSE-COUPLED LGDR SERIES

LittleGIANT®

MENU

DIMENSIONS

LGDR1S SQUARE FLANGE



Model	HP	PH	L (in)	Suction	Discharge	Drain Ports (3)
LGDRIS05	1/2	1	13.61	1-1/4" NPT	1" NPT	1/4"
LGDRIS07	3/4		14.23			
LGDRIS1	1		15.11			

CENTRIFUGAL PUMPS

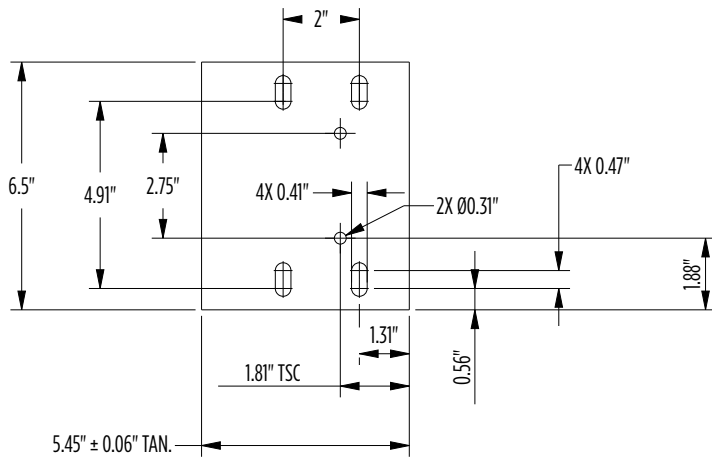
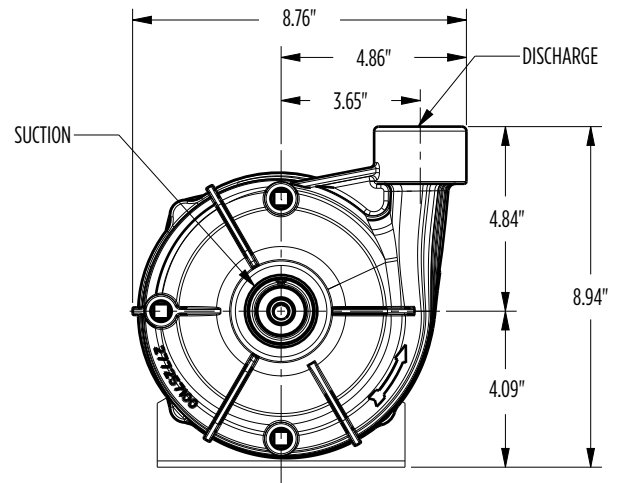
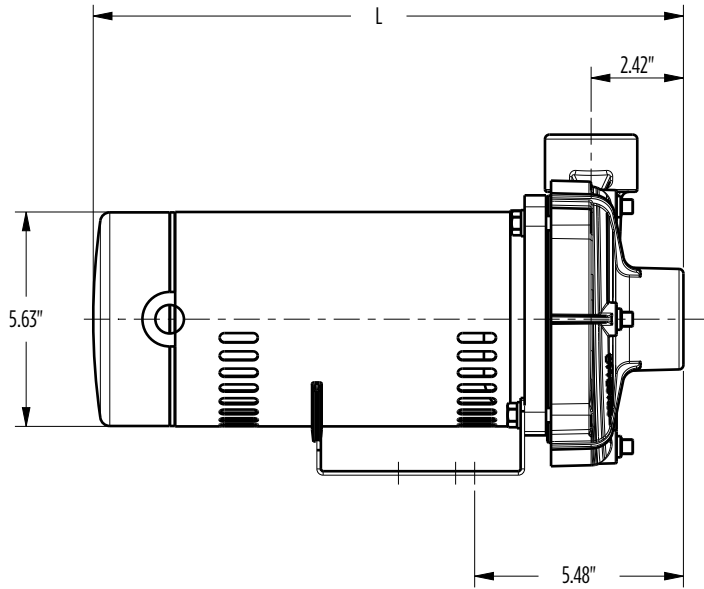
CLOSE-COUPLED LGDR SERIES

LittleGIANT®

MENU

DIMENSIONS

LGDR2S SQUARE FLANGE



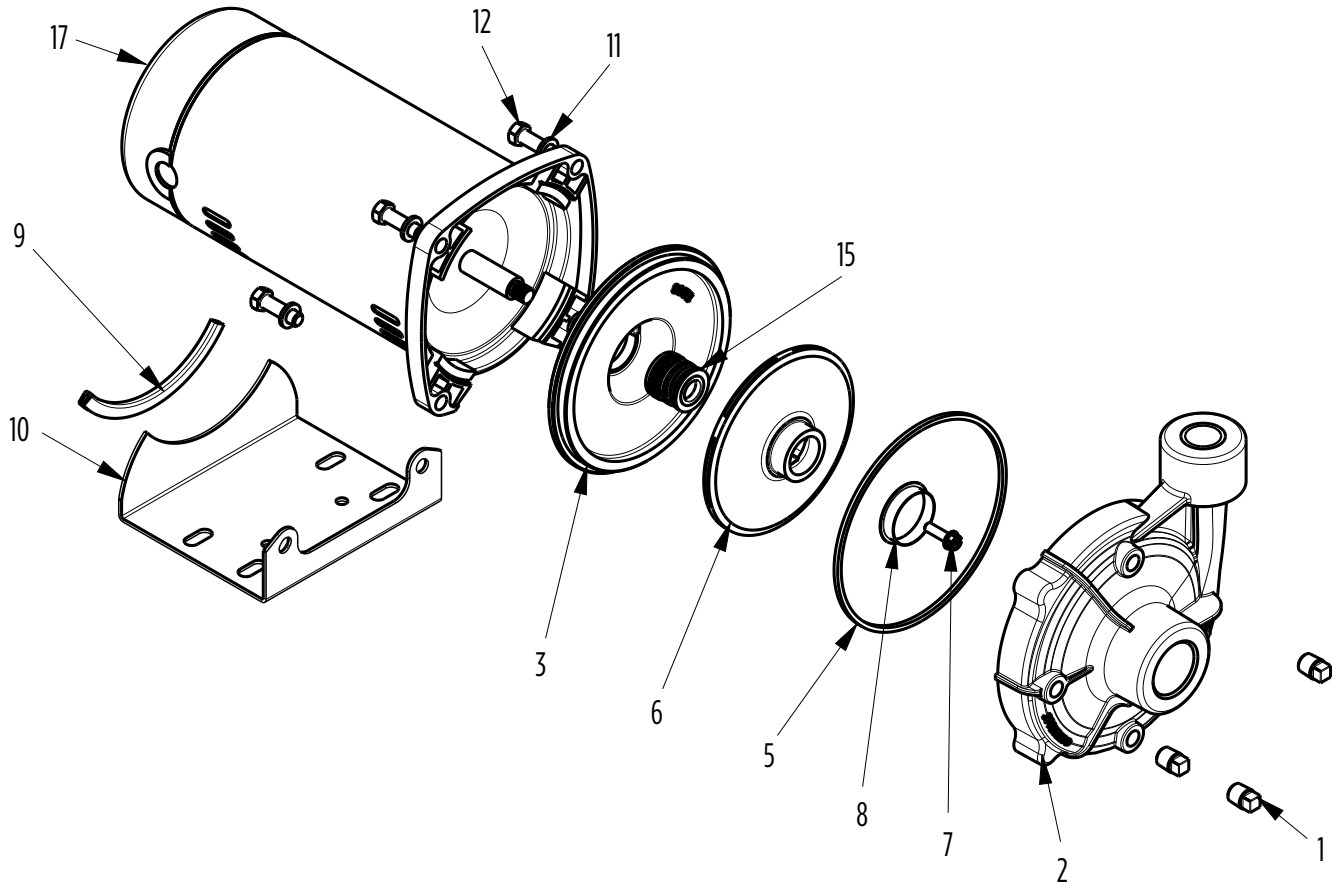
Model	HP	PH	L (in)	Suction	Discharge	Drain Ports (3)
LGDR2S1	1	1	15.48	1-1/2" NPT	1-1/4" NPT	1/4"
LGDR2S15	1-1/2		16.23			
LGDR2S2	2		17.45			

CENTRIFUGAL PUMPS

CLOSE-COUPLED LGDR SERIES

LittleGIANT®

MENU



MATERIALS AND PARTS

LGDRIS/LGDR2S - SQUARE FLANGE

Fig. No.	Part Description	Order No.	
		LGDRIS-CP	LGDR2S-CS
1,2	Volute, Includes Pipe Plugs	305617102	305617201
3	Seal Plate	305617104	305617104
5	Volute Case Square Ring	305373907	
6,8	Impeller & Wear Ring 1/2 HP	305617106	-
6,8	Impeller & Wear Ring 3/4 HP	305617107	-
6,8	Impeller & Wear Ring 1 HP	305617108	305617202
6,8	Impeller & Wear Ring 1-1/2 HP	-	305617203
6,8	Impeller & Wear Ring 2 HP	-	305617204
7	Impeller Bolt 1/4-20-0.88 L.H. THD. 3-PH	N/A	
8	Wear Ring	305373906	305617208
9	Base Protector	305373905	
9,10	Base, Includes Protector	305373904	
1,11,12	Hardware Kit	305617001	
11	Lockwasher 3/8" (qty. 4)	See Hardware Kit	
12	Bolt 3/8" X L.25" (qty. 4)		
15	Shaft Seal	305421907	
17	Motor (See Motor Specifications)	Square Flange	

CENTRIFUGAL PUMPS

CLOSE-COUPLED LGDR SERIES

LittleGIANT®

☰ MENU

MOTORS

3600 RPM Open Drip Proof - LGDRIS/LGDR2S						
Frame	Phase	HP	Volts	SF	Max or SF Amps	Motor Order No.
48Y Square Flange Thrd 1/2"	1	0.5	115/230	1.9	12.4/6.1	305374903
		0.75	115/230	1.65	14.8/7.3	305374906
		1	115/230	1.65	19.9/9.94	305374907
		1.5	115/230	1.47	24.0/12.1	305374909
		2	230	1.3	11.2	305446959

NOTES

CLOSE-COUPLED LGDR SERIES

LittleGIANT®

NOTES

CLOSE-COUPLED LGDR SERIES

LittleGIANT®



Franklin Electric