

HIGH-TEMPERATURE

HT-VCL SERIES

Little Giant, the global leader in HVAC Tank Condensate Pumps, has added a new family member to the condensate pump product line. Meet our new High-Temperature Condensate Pump, the HT-VCL Series, designed for plenum applications with the capability to handle the most difficult commercial applications.

- **LESS POWER REQUIRED:** Less draw on power at no sacrifice to performance versus competitive pumps
- **EASY INSTALLATION:** Uniquely constructed with an external pump switch test lever to ensure pump is functioning without the requirement of filling the tank
- **QUALITY YOU CAN BE CONFIDENT IN:** The manufacturer stands behind its products and included an extended two-year warranty that is rarely needed
- **FULLY SUPPORTED:** Comes fully supported by the industry's leading Technical Support professionals

FEATURES

- 1-gallon collection tank
- Maximum water temperature: 212 °F (100 °C)
- Suitable for plenum applications
- Stainless steel motor shaft
- 1.07" diameter inlet (with 0.69" diameter rubber grommet)
- Includes float-activated switch for automatic high-level water detection (overflow detection switch)
- 14' lead wires for power supply and overflow detection connection
- Includes adjustable right angle conduit fitting for use with flexible EMT
- Brass check valve with compression nut and ferrule for 3/8" copper tubing
- Compliant with UL 2043 standard
- Includes bottom inlet when drain outlet height is limited



HT-VCL-60-P

HT-VCL-30-P



SERIES SPECIFICATIONS

HT-VCL-30-P SERIES

Item No.	Volts	HP	Hz	Amps	Watts	Performance GPH (LPH) @ Head									Shut-Off	PSI Bar
						5' 1.5 m	10' 3 m	15' 4.6 m	20' 6.1 m	25' 7.6 m	30' 9.1 m	40' 12.2 m	50' 15.2 m	60' 18.3 m		
553130101	115	1/8	60	1.4	134	350 (1325)	320 (1211)	275 (1041)	225 (852)	160 (227)	60 (227)	-	-	-	32' 9.1 m	13.9 psi 0.69 Bar
553130102	208-230			0.7	90											
553130104	277			0.6	81											

HT-VCL-60-P SERIES

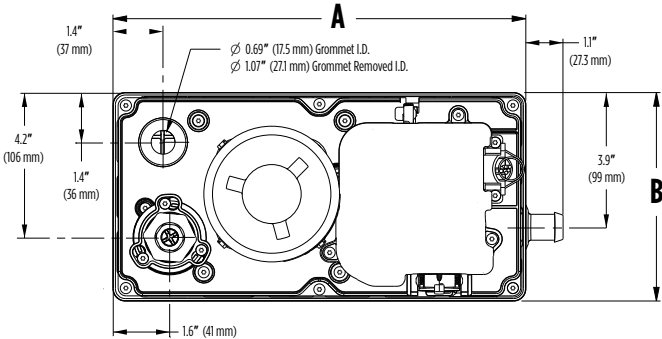
Item No.	Volts	HP	Hz	Amps	Watts	Performance GPH (LPH) @ Head									Shut-Off	PSI Bar
						5' 1.5 m	10' 3 m	15' 4.6 m	20' 6.1 m	25' 7.6 m	30' 9.1 m	40' 12.2 m	50' 15.2 m	60' 18.3 m		
553160101	115	1/3	60	3.5	292	575 (2176)	560 (2120)	530 (2006)	505 (1911)	478 (1809)	450 (1703)	375 (1419)	262 (992)	66 (250)	62' 18.3 m	26.9 psi 1.9 Bar
553160102	208-230			1.8	300											
553160104	380-460 1PH			1.0	300											

CONDENSATE PUMPS

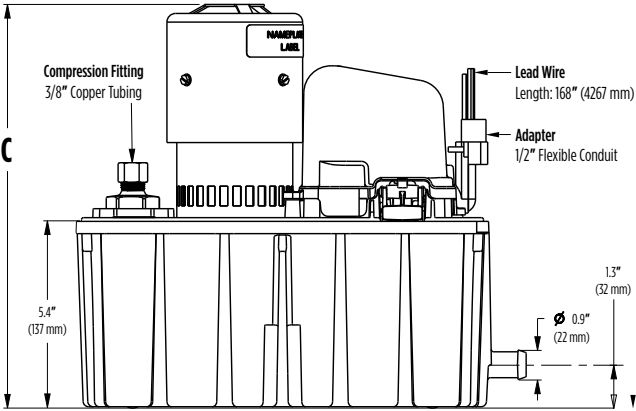
HT-VCL SERIES

ENGINEERING DATA

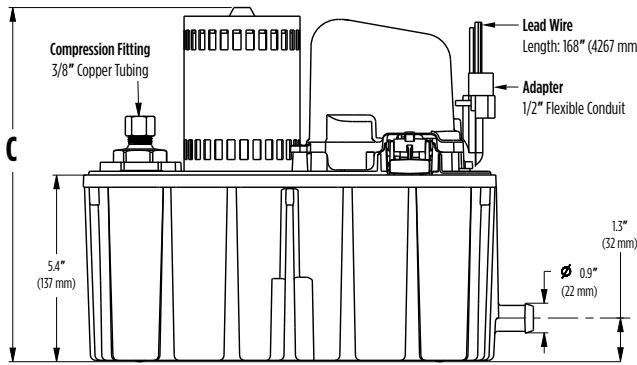
Model	A - Length	B - Width	C - Height	Weight
HT-VCL-30-P Series	12.0" 30.5 cm	6" 15.3 cm	10.2" 26 cm	9.5 lbs 4.3 kg
HT-VCL-60-P Series	12.0" 30.5 cm	6" 15.3 cm	11.7" 29.6 cm	12.5 lbs 5.7 kg



HT-VCL-60-P SERIES



HT-VCL-30-P SERIES



PERFORMANCE DATA

