

VCC-20S, ULS CONDENSATE PUMP SERIES

Owner's Manual

This condensate pump automatically removes condensate water that drips from an air conditioner evaporator coil, refrigeration equipment coil, condensing furnace, or condensing boiler. The pump is controlled by a float switch mechanism, which automatically starts and stops the pump.

This pump also includes an auxiliary high-water level switch. This switch is configured to open a thermostat circuit in the event of high water level in the pump reservoir, thereby stopping production of condensate. Alternatively, this switch can be reconfigured by the installer to close a circuit in the event of high water level, which operates an external alarm or relay, (purchased separately).

Please examine your item(s) carefully to ensure that no damage occurred during shipment. If damage has occurred, please contact the place of purchase. They will assist you in replacement or repair, if required.

This product is covered by a Limited Warranty for a period of 12 months from the date of original purchase by the consumer. For complete warranty information, refer to www.LittleGiant.com.



Specifications

Model	Volts	HZ	Amps	Watts	Shut Off
VCC-20ULS	115	60	1.5	93	20' (6.1 m)
VCC-20ULS	230	50/60	0.6/0.5	75	17' (5.2 m)

SAFETY INSTRUCTIONS

Before Getting Started

This equipment should be installed and serviced by technically qualified personnel who are familiar with the correct selection and use of appropriate tools, equipment, and procedures. Failure to comply with national and local electrical and plumbing codes and within Little Giant recommendations may result in electrical shock or fire hazard, unsatisfactory performance, or equipment failure.

Know the product's application, limitations, and potential hazards. Read and follow instructions carefully to avoid injury and property damage. Do not disassemble or repair unit unless described in this manual.

Refer to product data plate(s) for additional precautions, operating instructions and specifications.

Failure to follow installation or operation procedures and all applicable codes may result in the following hazards:

⚠ DANGER

⚡ Risk of death, personal injury, or property damage due to explosion, fire, or electric shock.

- Do not use to pump flammable or explosive fluids such as gasoline, fuel oil, kerosene, etc.
- Do not use in explosive atmospheres or hazardous locations as classified by the NEC, ANSI/NFPA70.
- Do not handle a pump or pump motor with wet hands or when standing on a wet or damp surface, or in water.
- When a pump is in its application, do not touch the motor, pipes, or water until the unit is unplugged or electrically disconnected.
- If the power disconnect is out of sight, lock it in the open position and tag it to prevent unexpected application of power.
- If the disconnect panel is not accessible, contact the electric company to stop service.

SAFETY INSTRUCTIONS

Before Getting Started

⚠ WARNING



Risk of severe injury or death by electrical shock.

- To reduce risk of electrical shock, disconnect power before working on or around the system. More than one disconnect switch may be required to de-energize the equipment before servicing.
- Wire pump system for correct voltage.
- Be certain that this pump is connected to a circuit equipped with a ground fault circuit interrupter (GFCI) device if required by code.
- Check electrical outlets with a circuit analyzer to ensure power, neutral, and ground wires are properly connected. If not, a qualified, licensed electrician should correct the problem.
- Some pumps are supplied with a grounding conductor and grounding-type attachment plug. To reduce risk of electric shock, be certain that it is connected only to a properly grounded grounding-type receptacle. Do not remove the third prong from the plug. The third prong is to ground the pump to help prevent possible electric shock hazard.
- Some pumps are supplied with lead wires and are intended to be hardwired using a junction box or other approved enclosure. The pumps include a grounding connector. To reduce risk of electric shock, be certain that it is properly connected to ground.
- In a 230 V direct wire installation, one side of the line going to the pump is always electrically energized, regardless of whether the liquid level control switch is open or closed. To avoid hazards when installing or servicing, install a double-pole disconnect near the pump installation.
- The flexible jacketed cord assembly mounted to the pump must not be modified in any way, with the exception of shortening the cord to fit into a control panel. Any splice between the pump and the control panel must be made within a junction box and comply with the National Electrical Code.
- Check local electrical and building codes before installation. The installation must be in accordance with their regulations as well as the most recent National Electrical Code (NEC) and the Occupational Safety and Health Act (OSHA).
- Do not use the power cord for lifting the pump.
- Do not use an extension cord.
- The pump should only be used with liquids compatible with pump component materials. If the pump is used with liquids incompatible with the pump components, the liquid can cause failure to the electrical insulation system resulting in electrical shock.

⚠ CAUTION



Risk of bodily injury, electric shock, or equipment damage.

- This equipment must not be used by children or persons with reduced physical, sensory or mental abilities, or lacking in experience and expertise, unless supervised or instructed. Children may not use the equipment, nor may they play with the unit or in the immediate vicinity.
- Equipment can start automatically. Lockout-Tagout before servicing equipment.
- An inoperative or malfunctioning pump could lead to flooding, resulting in personal injury or property damage.
- Operation of this equipment requires detailed installation and operation instructions provided in this manual for use with this product. Read entire manual before starting installation and operation. End User should receive and retain manual for future use.
- Keep safety labels clean and in good condition.
- Keep work area clean, well-lit, and uncluttered.
- Wear safety glasses while installing or performing maintenance on the pump.

NOTICE

Risk of damage to pump or other equipment.

- Before installing pump, allow air conditioner to cycle several times, collecting condensate in a separate container to help flush any residual oils that may remain in the system. Failure to flush the system can result in damage to the pump and drain line plumbing components.
- When operating in a gas furnace environment, care must be taken to ensure acidity of condensate does not fall below the average pH of 3.4 (to prevent a localized pocket of acid that acts like a battery causing pitting) by routinely cleaning or flushing tank with fresh water.
- Support pump and piping when assembling and when installed. Failure to do so may cause piping to break, pump to fail, motor bearing failures, etc.
- Do not install the pump in a manner that will subject it to splashing or spraying.
- Periodically inspect pump and system components. Regularly check hoses for weakness or wear, making certain that all connections are secure.
- Schedule and perform routine maintenance as required and in accordance with the Maintenance section of this manual.
- Pump is for indoor use only.
- Do not use this pump inside air plenums.

INSTALLATION

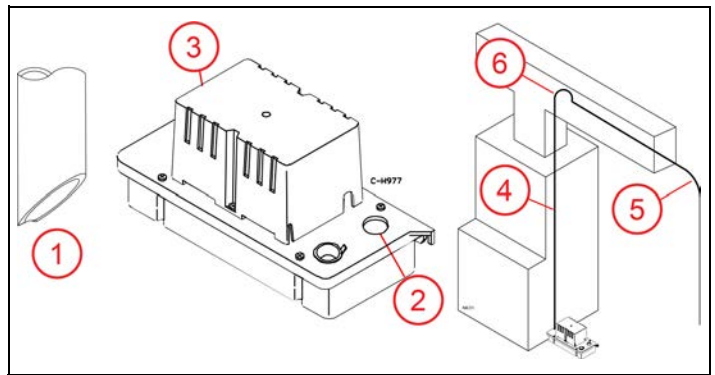
Physical Installation

1. Install the pump on a flat surface.
 - Make sure the mounting surface will support the combined weight of the pump and water filled tank.
 - The air vent openings around the motor housing must not be blocked or obstructed to allow the free flow of air.
 - Ensure that the pump is level and the inlet is below the coil drain.
2. The pump can also be mounted on a wall or the side of an air conditioner or furnace. The tank has two mounting slots, one located at each end of the tank.

Piping Connections

Connect inlet and outlet tubing as follows:

1. Cut end of pipe(s) from evaporator or furnace drain at a 45° angle as shown to prevent pipe(s) from sealing closed when sitting against the tank's floor.
2. Route drain pipe downward into pump inlet opening.
3. Install outlet piping onto outlet check valve and secure with hose clamp (not provided).
 - Use 3/8" inside diameter maximum tubing or piping to prevent excessive flow back to unit.
4. Route outlet tubing or piping from pump straight up as high as necessary.
 - Do not extend higher than 75% of the total dynamic head capacity of the pump.
5. From the high point, slope discharge line down slightly to a point above the drain area. Then, turn down and route to a suitable drain at a point below or approximately level with the bottom of the pump, if possible. This will produce a siphoning effect which will improve efficiency of the pump.
6. If it is not possible to slope the discharge line down, make an inverted "U" trap directly above the pump at the highest point.



Electrical Connections

The power cord must be connected to a constant source of power matching the voltage specified on the pump nameplate.

- The pump should be connected or wired to its own circuit, with no other electric receptacles or equipment in the circuit. Do not connect to a fan or any device that runs intermittently.
- The fuses or circuit breaker should be of ample capacity in the electrical circuit.
- Connect to a circuit equipped with a ground fault circuit interrupter (GFCI) device if required by code.

Some models are supplied with a stripped wire cord end. Power connections must be made within a junction box, and must comply with the National Electrical Code. Wires are color coded as follows:

- Green/yellow = Ground; Brown = Line; Blue = Line (230 V) or Neutral (115 V)

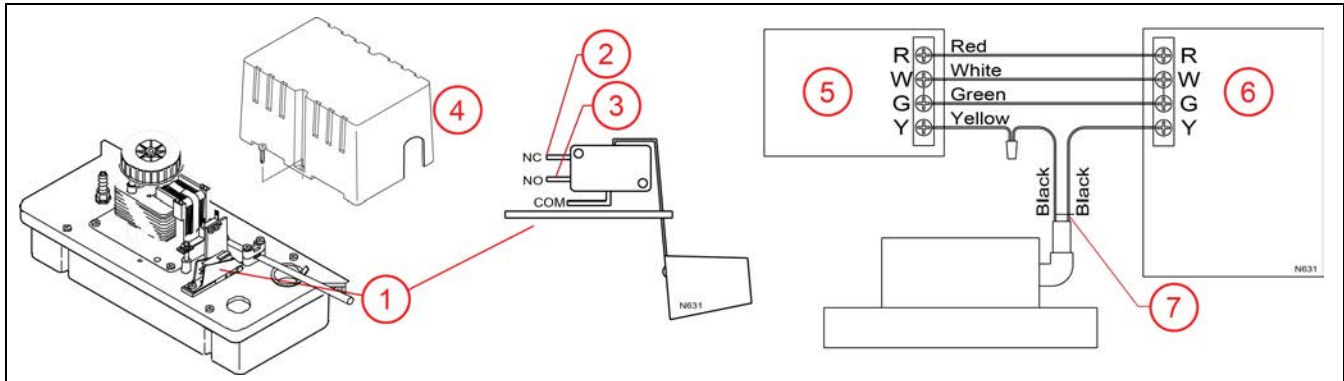
IMPORTANT: The power cord cannot be replaced. In case of damage, the whole unit must be replaced.

High Water Level Switch Connection

⚠ CAUTION

Risk of bodily injury or property damage.

- In applications where property damage and/or personal injury might result from an inoperative or leaking pump due to power outages, discharge line blockage, or any other reason, a backup system(s) (e.g. auxiliary switch) and/or alarm should be used and monitored.
- The high level switch should be connected to a Class II Low Voltage circuit. The two switch wires are black. Do not confuse these wires with the line voltage power conductors.
- The high level switch is placed in an orientation that reverses the normal function of normally open and normally closed terminals. Pay close attention to the following instructions.



1. High Water Level Switch
2. NC terminal. Connect here to activate an external alarm or relay.
3. NO terminal. Connect here to shut off the condensing unit of the heating/cooling system.
4. Motor Cover and Screw
5. Thermostat
6. Air Conditioner/Furnace
7. High Water Level Switch wiring leads

There are two options for connecting the high level switch:

1. The switch is factory wired to the NO and COM terminals. This configuration will open (break) an electrical circuit when the switch is activated by a high water level in the reservoir, which can be used to stop the condensing unit(s) of the heating/cooling system.

Refer to the thermostat and heating/cooling unit's Operating Manual for expected switch operation and wiring connections. Connect the switch leads (7) in series with the low voltage thermostat circuit as specified in the heating/cooling unit's operating manual.

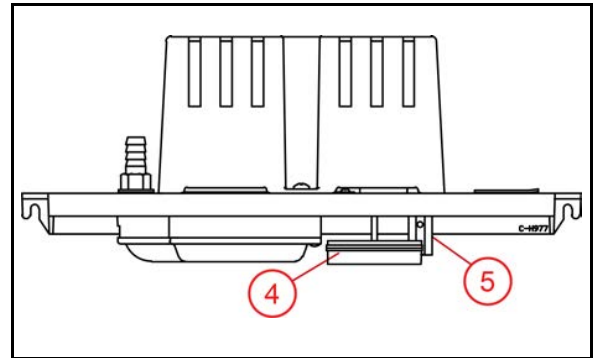
2. The installer can reconfigure this switch to the NC terminal to close a low voltage circuit in the event of high water level, which could activate an external alarm or relay (purchased separately). Use the following procedure if an NC configuration is required:
 - Remove the pump's motor cover (4).
 - Support the switch and carefully change the lead wire from the NO(3) terminal to the NC terminal (2).
 - Re-install the motor cover.
 - Connect the switch leads in series with the low voltage external component as specified in the component's manual.

Place the "Attention Service Technician" label included with the pump on the outside of the access panel in a visible location.

Operation Testing

To test system operation, follow these steps:

1. Disconnect the pump from the power source.
2. Remove tank cover assembly from the tank.
 - Remove four screws that secure the cover assembly.
 - Carefully lift the cover assembly from the tank and hold level.
3. Turn on power to the pump.
4. Test pump operating switch by raising pump switch float.
 - Motor should turn on before pump switch float contacts underneath side of tank cover.
5. Test high level switch by raising high level switch float.
 - High level switch should activate before float contacts underneath side of tank cover.
 - If wired to NO terminal, air handling device should shut down when float is raised.
 - If wired to NC terminal, external component (alarm or relay) should activate when float is raised.
6. Disconnect the pump from the power source.
7. Replace the tank cover assembly.
8. Turn on power to the pump.



MAINTENANCE

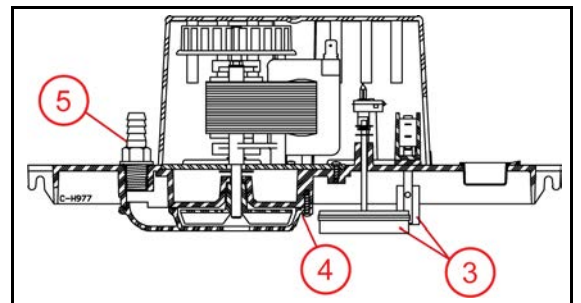
⚠ CAUTION

Risk of bodily injury or property damage.

- Do not allow the tank to overflow during this maintenance.
- Inspect and test the condensate removal system condition and operation every 6 months (more frequently in heavy-use applications).

To inspect and clean the tank and other components, follow these steps:

1. Disconnect the pump from the power source.
2. Remove tank cover assembly from the tank.
 - Remove four screws that secure the cover assembly.
 - Carefully lift the cover assembly from the tank and hold level.
3. Be sure the floats move freely. Clean as necessary.
4. Remove the volute and check for obstructions. Clean as necessary.
5. Remove the check valve and backwash the discharge port into the volute. Do this over a sink.
6. Clean the tank with warm water and mild soap.
7. Flush tank with fresh water. This helps to ensure that residual condensate does not create localized pockets of acid that could cause pitting.
8. Check inlet and outlet piping. Clean as necessary. Be sure there are no kinks in the line that would inhibit flow.
9. Replace the tank cover assembly.
10. Test operation of the system.



Troubleshooting

Problem	Probable Causes	Corrective Action
Pump does not start when tank is full of condensate water.	Pump is not connected to electrical power.	Connect pump to a dedicated GFCI circuit.
	Circuit breaker off or fuse removed.	Turn on circuit breaker or replace fuse.
	Accumulation of debris or build-up on float.	Clean float; a dirty float could be too heavy to operate correctly.
	Float movement obstruction.	Remove the tank. Check float movement path. Remove any debris or obstruction.
	Defective switch.	Replace pump.
	Defective motor.	Replace pump.
Condensate is overflowing from the tank.	Pump is not connected to electrical power.	Connect pump to a dedicated GFCI circuit.
	Liquid inflow matches or exceeds pump output capacity.	Larger pump required. The high level switch should shut off the A/C unit or signal an alarm in this condition if connected in the circuit correctly. Check to ensure that the pump high level switch is connected to the A/C unit (or alarm circuit), and that the leads are connected to the correct switch terminals for the application. Refer to "High Water Level Switch Connection" on page 4.
	Pump is not level.	Check to ensure that the pump is level. If the pump is not level, it may not activate, causing water to overflow from the tank. Place unit on a flat and level surface.
	Accumulation of debris or build-up on float.	Clean float. A dirty float could be too heavy to operate correctly.
	Check valve stuck or plugged	Remove check valve and inspect for proper operation.
	Outlet flow is blocked.	Check outlet tubing to ensure that it is not kinked or blocked. Clear blocked tubing of slime and debris. Clean inlet and outlet piping.
	Pump impeller is not turning.	Clear any blockage in the impeller housing.
	Defective switch.	Replace pump.
	Defective motor.	Replace pump.
Pump will not shut off.	Float movement obstruction.	Remove the tank. Check float movement path. Remove any debris or obstruction.
	Liquid inflow matches or exceeds pump output capacity.	Larger pump required. The high level switch should shut off the A/C unit or signal an alarm in this condition if connected in the circuit correctly. Check to ensure that the pump high level switch is connected to the A/C unit (or alarm circuit), and that the leads are connected to the correct switch terminals for the application. Refer to "High Water Level Switch Connection" on page 4.
	Defective switch.	Replace pump.
Pump runs but does not discharge liquid.	Check valve stuck or plugged.	Remove check valve and inspect for proper operation.
	Lift too high for pump.	Check rated pump performance.
	Inlet to impeller plugged.	Pull pump and clean.
	Outlet flow is blocked.	Check outlet tubing to ensure that it is not kinked or blocked. Clear blocked tubing of slime and debris. Clean inlet and outlet piping.
Pump does not deliver rated capacity.	Check valve stuck or plugged.	Remove check valve and inspect for proper operation.
	Lift too high for pump.	Check rated pump performance.
	Low voltage, speed too slow.	Check that supply voltage matches nameplate rating.
	Impeller or discharge pipe is clogged.	Pull pump and clean. Check pipe for scale or corrosion.
Pump cycles continually.	Check valve leaking.	Remove check valve and inspect for proper operation.



For technical assistance, please contact:

800.701.7894 | littlegiant.com

Form 993554 Rev. 001 07/19

Little GIANT®

Franklin Electric Co., Inc. | Oklahoma City, OK 73157-2010

Copyright © 2019, Franklin Electric, Co., Inc. All rights reserved.

VCC-20S, ULS BOMBA DE CONDENSACIÓN

Manual del propietario

Esta bomba para condensado elimina automáticamente el agua condensada que gotea del serpentín del evaporador de aire acondicionado, el serpentín de un equipo de refrigeración, un calentador de condensación o una caldera de condensación. La bomba es controlada por un mecanismo de interruptor flotante, que arranca y detiene automáticamente la bomba.

La bomba también incluye un interruptor de nivel de agua auxiliar alto. Este interruptor se suministra de fábrica configurado para abrir el circuito de un termostato en el caso de que haya un alto nivel de agua en el depósito de la bomba, por lo tanto detener la producción de condensado. De manera alternativa, este interruptor puede ser reconfigurado por el instalador para que cierre un circuito en el caso de que haya un alto nivel de agua, que opera una alarma externa o relé, (comprado por separado).

Examine su bomba cuidadosamente para garantizar que no haya sufrido daños durante el envío. Si ha sufrido daños, comuníquese con el lugar donde la compró. Recibirá ayuda para efectuar reemplazos o reparaciones, en caso de ser necesario.

Este producto está cubierto por una garantía limitada por un período de 12 meses desde la fecha original de compra por parte del consumidor. Para obtener información completa sobre la garantía, consulte www.LittleGiant.com.



Especificaciones

Serie de modelos	Voltios	Hertz	Amperios	Vatios	Apagado
VCC-20ULS	115	60	1.5	93	20' (6.1 m)
VCC-20ULS	230	50/60	0.6/0.5	75	17' (5.2 m)

INSTRUCCIONES SOBRE SEGURIDAD

Antes de empezar

La instalación y el mantenimiento de este equipo deben estar a cargo de personal con capacitación técnica que esté familiarizado con la correcta elección y uso de las herramientas, equipos y procedimientos adecuados. El hecho de no cumplir con los códigos eléctricos y de plomería nacionales y locales y con las recomendaciones de Little Giant puede provocar peligros de descarga eléctrica o incendio, desempeños insatisfactorios o fallas del equipo.

Lea y siga las instrucciones cuidadosamente para evitar lesiones y daños a los bienes. No desarme ni repare la unidad salvo que esté descrito en este manual.

Consulte las placas de características del producto para obtener instrucciones de operación, precauciones y especificaciones adicionales.

El hecho de no seguir los procedimientos de instalación o funcionamiento y todos los códigos aplicables puede ocasionar los siguientes peligros:

⚠ PELIGRO



Riesgo de muerte, lesiones personales o daños materiales por explosión, incendio o descarga eléctrica.

- No usar para bombear líquidos inflamables o explosivos como gasolina, fueloil, kerosene, etc.
- No usar en atmósferas explosivas ni lugares peligrosos según la clasificación de la NEC, ANSI/NFPA70.
- No manipule la bomba ni el motor de la bomba con las manos mojadas o parado sobre una superficie mojada o húmeda o en agua.
- Cuando haya una bomba en su aplicación, no toque el motor, las tuberías ni el agua sino hasta haber desenchufado o eléctricamente desconectado la unidad.
- Si la desconexión de alimentación está fuera del sitio, bloquéela en la posición abierta y etiquétela para evitar una conexión inesperada de la alimentación.
- Si no se tuviera acceso al panel de desconexión, comuníquese con la compañía eléctrica para interrumpir el servicio.

INSTRUCCIONES SOBRE SEGURIDAD

Antes de empezar

⚠️ ADVERTENCIA



Riesgo de lesiones graves o muerte por descarga eléctrica.

- Para reducir el riesgo de descarga eléctrica, desconecte la energía antes de trabajar en el sistema o cerca de él. Es posible que sea necesario más de un interruptor de desconexión para cortar la energía del equipo antes de realizarle un mantenimiento.
- Cablee el sistema de bombeo para los voltajes correctos.
- Asegúrese de que esta bomba esté conectada a un circuito equipado con un dispositivo interruptor de circuito por falla de conexión a tierra (GFCI) si es requerido por el código.
- Revise los tomacorrientes con un analizador de circuito para garantizar que los cables de alimentación, neutro y a tierra estén conectados correctamente. De lo contrario, un electricista calificado y autorizado deberá rectificar el problema.
- Algunas bombas vienen con un conector de puesta a tierra y un enchufe de seguridad de tipo de conexión a tierra. Para reducir el riesgo de descarga eléctrica, asegúrese de que esté conectado únicamente a un receptáculo de tipo de conexión a tierra conectado a tierra como corresponde. No quite la tercera clavija del enchufe. La tercera clavija sirve para conectar la bomba a tierra, lo que ayuda a evitar posibles peligros de descarga eléctrica.
- Algunas bombas vienen con cables conductores y están ideadas para que se conviertan en conexiones permanentes mediante una caja de empalmes u otro gabinete aprobado. Las bombas incluyen un conector de puesta a tierra. Para reducir el riesgo de descarga eléctrica, asegúrese de que esté conectado a tierra como corresponde.
- En una instalación de cables directos de 230 V, un extremo de la línea que va hacia la bomba tiene electricidad siempre, sin importar si el interruptor del control de nivel del líquido está abierto o cerrado. Para evitar peligros a la hora de realizar la instalación o el mantenimiento, instale un interruptor de desconexión bipolar cerca de la instalación de la bomba.
- El conjunto de cables recubiertos flexibles montado a la bomba no se debe modificar en modo alguno, salvo para acortar el cable para adecuarlo al interior del panel de control. Todos los empalmes entre la bomba y el panel de control deben realizarse dentro de una caja de conexiones y deben cumplir con el Código Eléctrico Nacional.
- Compruebe los códigos eléctricos y de construcción locales antes de la instalación. La instalación debe estar de acuerdo con sus regulaciones, así como el National Electrical Code (NEC) más reciente y la ley de Seguridad y Salud Ocupacionales (OSHA).
- No use el cable eléctrico para levantar la bomba.
- No use un prolongador.
- La bomba solo se debe utilizar con líquidos compatibles con los materiales que componen la bomba. Si la bomba se utiliza con líquidos incompatibles con los componentes de la bomba, el líquido puede causar fallas en el sistema de aislamiento eléctrico, lo que resulta en una descarga eléctrica.

⚠️ PRECAUCIÓN



Riesgo de lesiones corporales, descargas eléctricas o daños al equipo.

- Este equipo no deben usarlo niños ni personas con capacidades físicas, sensoriales o mentales reducidas, ni aquellos que carezcan de experiencia y capacitación, salvo que estén bajo supervisión o instrucción. Los niños no podrán usar el equipo ni jugar con la unidad o en las cercanías inmediatas.
- El equipo puede encenderse en forma automática. Realice los procedimientos de bloqueo/etiquetado antes de efectuar el mantenimiento del equipo.
- Una bomba que no funciona o funciona mal podría provocar una inundación y provocar lesiones personales o daños materiales.
- La operación de este equipo exige instrucciones detalladas para su instalación y operación que se encuentran en este manual para su uso con este producto. Lea la totalidad del manual antes de comenzar la instalación y la operación. El usuario final debe recibir y conservar el manual para usos futuros.
- Mantenga las etiquetas de seguridad limpias y en buenas condiciones.
- Mantenga el área de trabajo limpia, bien iluminada y ordenada.
- Use gafas de seguridad mientras realiza la instalación o el mantenimiento de la bomba.

AVISO

Riesgo de daños a bomba u otros equipos.

- Antes de instalar la bomba, permita que el aire acondicionado realice varios ciclos y recolecte el condensado en un recipiente separado para poder enjuagar todo aceite residual que pueda permanecer en el sistema. Si no se enjuaga el sistema, se pueden provocar daños en los componentes de plomería de la línea de drenaje y la bomba.
- Al operar en un entorno de hornos de gas, se debe tener cuidado para asegurar la acidez del condensado no descienda por debajo del pH promedio de 3,4 (para evitar un bolsillo localizado de ácido que funciona como una batería que genera picaduras), para ello, se debe limpiar o enjuagar el tanque con agua dulce con regularidad.
- Sostenga la bomba y la tubería durante el ensamblaje y cuando estén instaladas. Si esto no se realiza, la tubería se puede romper, la bomba puede tener fallas, los cojinetes del motor pueden tener fallas, etc.
- No instale la bomba de manera que lo someta a salpicaduras o aspersión.
- Inspeccione periódicamente los componentes del sistema y la bomba. Revise regularmente las mangueras para controlar si están débiles o gastadas y asegúrese de que todas las conexiones sean seguras.
- Programe y realice servicios de mantenimiento de rutina, tal como se indica en la sección Mantenimiento del sistema.
- La bomba es sólo para uso en interiores
- No utilice esta bomba dentro de los plenums de aire.

INSTALACIÓN

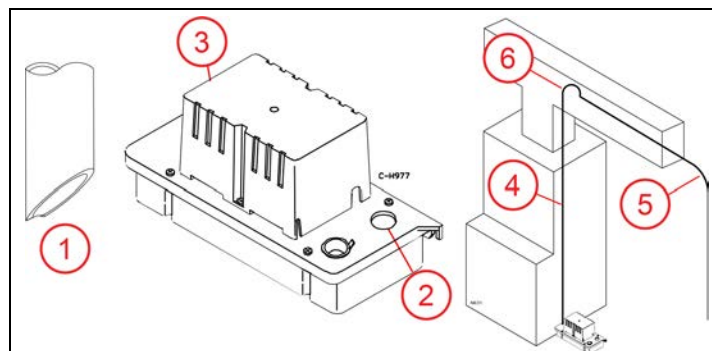
Installation física

1. Instale la bomba sobre una superficie plana.
 - Asegúrese de que la estructura soportará el peso combinado de la bomba y el tanque lleno de agua. La superficie debe estar nivelada y ser estable durante toda la vida útil de la bomba.
 - Las salidas de ventilación alrededor de la carcasa del motor no deben estar bloqueadas ni obstruidas para permitir el libre flujo de aire.
 - Asegúrese de que la bomba esté nivelada y la entrada esté por debajo del drenaje de la bobina.
2. La bomba también se puede montar en una pared o en el lado de un acondicionador de aire o horno. El tanque tiene dos ranuras de montaje, una ubicada en cada extremo del tanque.

Conexiones de tuberías

Conecte la tubería de entrada y salida:

1. Corte el extremo del tubo del evaporador o del drenaje del horno a un ángulo de 45°, tal como se muestra para evitar que la tubería se cierre sellada cuando se apoye en el piso del tanque.
2. Dirija el tubo del evaporador e insértelo en la abertura de entrada de la bomba.
3. Instale la tubería de salida en la válvula de retención del tomacorriente y asegúrela con la abrazadera de manguera (no suministrada). Utilice 3/8 pulgada de diámetro interior máximo tubería para evitar un flujo excesivo de vuelta a la unidad.
4. Dirija la tubería de salida de la bomba hacia arriba tan alto como sea necesario. No extienda más alto que un 75% la capacidad de la carga/gal/h de la bomba.
5. Desde el punto alto, baje la línea de descarga ligeramente hasta un punto encima del área del drenaje. Luego, voltéela y oriéntela hasta un drenaje adecuado hasta un punto por debajo o aproximadamente a nivel con la parte inferior de la bomba, de ser posible. Esto producirá un efecto de sifonamiento que mejorará la eficiencia de la bomba.
6. Si no es posible inclinar la línea de descarga hacia abajo, realice un colector en "U" invertido directamente sobre la bomba, en el punto más alto.



Conexiones eléctricas

El cable de alimentación se debe conectar a una fuente de alimentación constante que coincida con el voltaje especificado en la placa de identificación de la bomba.

- La bomba se debe conectar o cablear en su propio circuito sin otras salidas o equipos en la línea de circuito. No lo conecte a un ventilador ni a un dispositivo que funcione de manera intermitente.
- Los fusibles y el disyuntor deben tener una capacidad amplia en el circuito eléctrico.
- Conéctese a un circuito equipado con un dispositivo interruptor de circuito por falla de conexión a tierra (GFC) si es requerido por el código.

Algunos modelos vienen con un extremo del cable pelado. Las conexiones de alimentación deben realizarse dentro de una caja de empalmes y deben cumplir con el Código Eléctrico Nacional. Los cables de alimentación siguen el siguiente código de colores:

- Verde/amarillo = conexión a tierra; Marrón = línea; Azul = línea (230 V) o neutro (115 V)

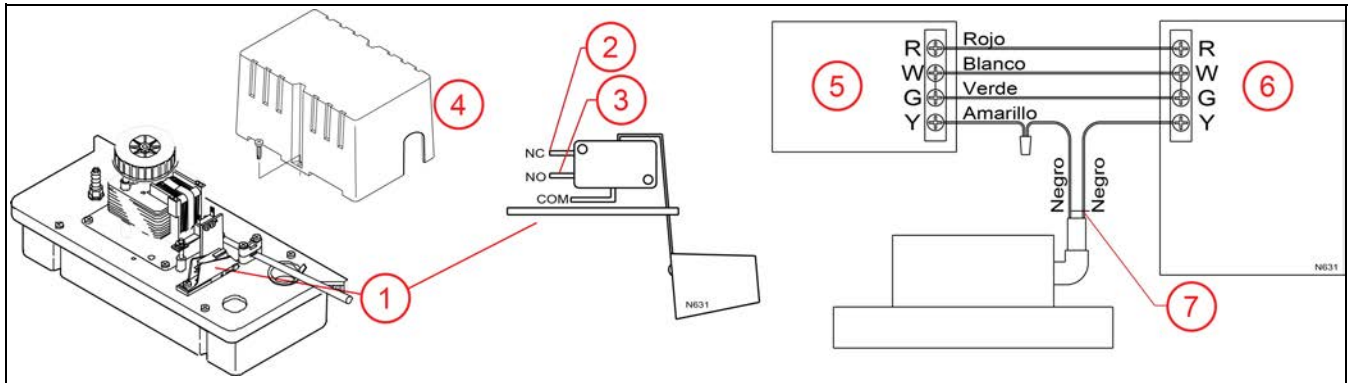
Importante: El cable de alimentación no se puede reemplazar. En caso de avería, se debe sustituir toda la unidad.

Cableado del interruptor auxiliar de nivel de agua alto

⚠ PRECAUCIÓN

Riesgo de lesiones corporales o daños materiales.

- En aplicaciones donde una bomba no operativa o con fugas podría producir daños materiales o lesiones personales debido a interrupciones en la alimentación, obstrucciones en la línea de descarga u otros motivos, se debe usar y monitorear un sistema o sistemas de apoyo (por ejemplo, interruptor auxiliar) o una alarma.
- El interruptor auxiliar de nivel alto debe estar conectado a un circuito Clase II de voltaje bajo. Los dos cables del interruptor auxiliar de nivel alto son negros. No confunda estos cables con los conductores de alimentación de voltaje de la línea.
- El interruptor auxiliar de nivel alto se coloca con una orientación que invierte la función normal de los terminales normalmente abierto y normalmente cerrado. Preste mucha atención a las siguientes instrucciones.



1. Interruptor de nivel de agua alto
2. Terminal NC. Conéctelo aquí para activar un relé o una alarma externa.
3. Terminal NO. Conéctelo aquí para apagar la unidad condensadora del sistema de calefacción/refrigeración.
4. Cubierta del motor
5. Termostato
6. Acondicionador de aire/horno
7. Cables de cableado de interruptor de nivel

Existen dos opciones para conectar el interruptor de alto nivel:

1. El interruptor auxiliar de nivel alto viene cableado de fábrica al terminal “COM” y “NO”. Esta configuración abrirá (romperá) un circuito eléctrico cuando el interruptor se active por el alto nivel de agua, que se puede utilizar para detener la unidad condensadora del sistema de calefacción/refrigeración.

Consulte el Manual operativo de la unidad de calefacción/refrigeración y el termostato para ver el funcionamiento previsto del interruptor y las conexiones de los cables. Conecte los cables del interruptor (7) en serie con el circuito del termostato de voltaje bajo según se especifica en la manual operativo de unidad de calefacción/refrigeración.

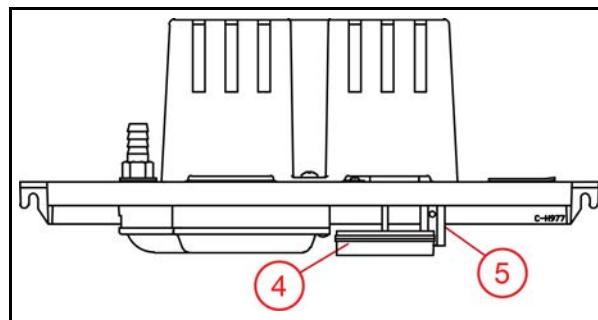
2. El instalador puede reconfigurar este interruptor al terminal NC para cerrar un circuito de voltaje bajo en el caso de nivel de agua alto, lo que podría activar un relé o una alarma externa (que se compran por separado). Utilice el siguiente procedimiento si se requiere una configuración (NC):
 - Retire la cubierta del motor de la bomba (4).
 - Sostenga el interruptor y cuidadosamente cambie el cable conductor superior del terminal “NO” (3) al terminal “NC” (2).
 - Vuelva a instalar la cubierta del motor de la bomba.
 - Conecte los cables del interruptor en serie con el circuito de bajo voltaje del componente externo, tal como se especifica en el manual del componente.

Coloque la etiqueta “ATENCIÓN AL TÉCNICO DE MANTENIMIENTO” que se incluye con la bomba en la parte externa del panel de acceso en un lugar visible.

Prueba de operación

Para probar el funcionamiento del sistema, siga estos pasos:

1. Desconecte la bomba de la fuente de alimentación.
2. Quite el conjunto de la cubierta del tanque.
 - Retire los cuatro tornillos que fijan el ensamblaje del tanque/la cubierta al tanque.
 - Con cuidado, eleve el ensamblaje del tanque/la cubierta del tanque y sostenga de manera nivelada.
3. Encienda la alimentación eléctrica a la bomba.
4. Pruebe el interruptor de operación de la bomba elevando el interruptor flotante de la bomba.
 - Se debe encender el motor antes de que el interruptor flotante de la bomba haga contacto con la parte de abajo de la cubierta del tanque.
5. Pruebe el interruptor auxiliar de nivel alto elevando el interruptor flotante de nivel alto.
 - El interruptor de nivel alto se debe activar antes de que el flotador haga contacto con la parte de abajo de la cubierta del tanque.
 - Si está cableado al terminal “NO”, el dispositivo de tratamiento de aire debe apagarse cuando se eleva el flotador.
 - Si está cableado al terminal “NC”, el componente externo (alarma o relé) debe activarse cuando se eleva el flotador.
6. Desconecte la bomba de la fuente de alimentación.
7. Vuelva a colocar el conjunto de la cubierta del tanque.
8. Encienda la alimentación eléctrica a la bomba.



MANTENIMIENTO

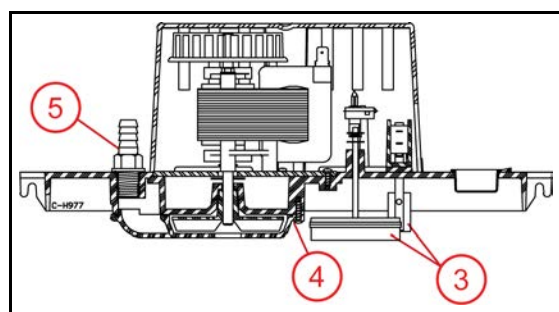
⚠ PRECAUCIÓN

Riesgo de lesiones corporales o daños materiales.

- No permita que el tanque se desborde durante este mantenimiento.
- Inspeccione las condiciones en las que se encuentra el sistema de eliminación de condensado y pruebe su operación cada 6 meses (con más frecuencia en aplicaciones de uso intensivo).

Para inspeccionar y limpiar el tanque y otros componentes, siga los pasos que se detallan a continuación:

1. Desconecte la bomba de la fuente de alimentación.
2. Quite el conjunto de la cubierta del tanque.
 - Retire los cuatro tornillos que fijan el ensamblaje del tanque/la cubierta al tanque.
 - Con cuidado, eleve el ensamblaje del tanque/la cubierta del tanque.
3. Asegúrese de que los flotadores se muevan libremente. Limpie según sea necesario.
4. Retire la voluta y verifique si hay obstrucciones. Limpie según sea necesario.
5. Quite la válvula de retención y lave a contracorriente el puerto de descarga en la voluta. Haga esto sobre un lavabo.
6. Limpie el tanque con agua tibia y jabón suave.
7. Enjuague el tanque con agua dulce. Esto ayuda a garantizar que el condensado residual no crea cavidades localizadas de ácido que puedan causar picaduras.
8. Verifique la tubería de entrada y de salida. Limpie según sea necesario. Asegúrese de que no haya torceduras en la línea que puedan obstruir el flujo.
9. Vuelva a colocar el conjunto de la cubierta del tanque.
10. Pruebe la operación del sistema.



Solución de problemas

Problema	Causas probables	Acción correctiva
La bomba no arranca cuando el tanque está lleno de agua de condensación.	La bomba no está conectada a la alimentación.	Conecte la bomba a un circuito GFCI dedicado.
	Disyuntor apagado o sin fusible.	Encienda el disyuntor o reemplace el fusible.
	Acumulación de residuos o acumulación sobre el flotante.	Limpie el flotante; un flotante sucio puede estar demasiado pesado para funcionar correctamente.
	Obstrucción del movimiento del flotante.	Extraiga el tanque. Verifique el recorrido del movimiento del flotante. Quite cualquier residuo u obstrucción.
	Interruptor defectuoso.	Reemplace la bomba.
	Motor defectuoso.	Reemplace la bomba.
El condensado se desbor-da del tanque.	La bomba no está conectada a la alimentación.	Conecte la bomba a un circuito GFCI dedicado.
	El flujo de entrada líquido coincide con la capacidad de salida de la bomba o la supera.	Se requiere una bomba más grande. El interruptor de nivel alto debe apagar la unidad de aire acondicionado o emitir una alarma en esta condición si está conectada en el circuito de manera correcta. Compruebe que el interruptor de nivel alto de la bomba esté conectado a la unidad de aire acondicionado (o el circuito de alarma), y que los cables estén conectados a los terminales del interruptor cor-recto para la aplicación.
	La bomba no está nivelada.	Verifique que la bomba esté nivelada. Si la bomba no está nivelada, no se activará, haciendo que el agua se desborde del tanque. Coloque la unidad sobre una superficie plana y nivelada.
	Acumulación de residuos o acumulación sobre el flotante.	Limpie el flotante. Un flotante sucio puede estar demasiado pesado para funcionar correctamente.
	Válvula de retención atascada u obstruida.	Quite la válvula de retención y revísela para comprobar que funcione bien.
	El flujo de salida está bloqueado.	Verifique la tubería de salida para asegurarse de que no esté retorcida ni bloqueada. Despeje la tubería bloqueada de lodo y residuos. Limpie la tubería de entrada y de salida.
	El impulsor de la bomba no gira.	Despeje cualquier bloqueo en la carcasa del impulsor.
	Interruptor defectuoso. Motor defectuoso.	Reemplace la bomba. Reemplace la bomba.
La bomba no se apaga.	Obstrucción del movimiento del flotante.	Extraiga el tanque. Verifique el recorrido del movimiento del flotante. Quite cualquier residuo u obstrucción.
	El flujo de entrada líquido coincide con la capacidad de salida de la bomba o la supera.	Se requiere una bomba más grande. El interruptor de nivel alto debe apagar la unidad de aire acondicionado o emitir una alarma en esta condición si está conectada en el circuito de manera correcta. Compruebe que el interruptor de nivel alto de la bomba esté conectado a la unidad de aire acondicionado (o el circuito de alarma), y que los cables estén conectados a los terminales del interruptor cor-recto para la aplicación.
	Interruptor defectuoso.	Reemplace la bomba.
La bomba funciona pero no descarga líquido.	Válvula de retención atascada u obstruida.	Quite la válvula de retención y revísela para comprobar que funcione bien.
	Elevación demasiado alta para la bomba.	Revise el desempeño nominal de la bomba.
	Entrada al impulsor obstruido.	Quite la bomba y límpiela.
	El flujo de salida está bloqueado.	Verifique la tubería de salida para asegurarse de que no esté retorcida ni bloqueada. Despeje la tubería bloqueada de lodo y residuos. Limpie la tubería de entrada y de salida.
La bomba no cumple con la capacidad nominal.	Válvula de retención atascada u obstruida.	Quite la válvula de retención y revísela para comprobar que funcione bien.
	Elevación demasiado alta para la bomba.	Revise el desempeño nominal de la bomba.
	Bajo voltaje, velocidad demasiado lenta.	Compruebe que el voltaje suministrado coincida con la capacidad nominal en la placa de identificación.
	El impulsor o la tubería de descarga están obstruidos.	Quite la bomba y límpiela. Revise si la tubería tiene sarro o señales de corrosión.
La bomba se enciende y se apaga permanentemente.	Fugas en la válvula de retención.	Quite la válvula de retención y revísela para comprobar que funcione bien.



Para la ayuda técnica, por favor póngase en contacto:

800.701.7894 | **littlegiant.com**

Form 9935544 Rev. 001 07/19

Little GIANT[®]

Franklin Electric Co., Inc. | Oklahoma City, OK 73157-2010

VCC-20S, ULS POMPE DE CONDENSATS

Manuel du propriétaire

Cette pompe à condensats aspire l'eau de condensation qui s'égoutte d'un serpentin d'évaporateur d'un climatiseur, d'un serpentin d'appareil frigorifique, d'un générateur d'air chaud à condensation ou d'une chaudière à condensation. La pompe est commandée par un mécanisme à flotteur, qui démarre et arrête automatiquement la pompe.

La pompe comprend également un interrupteur de niveau d'eau auxiliaire. Ce commutateur est configuré pour ouvrir un circuit de thermostat en cas de niveau d'eau élevé dans le réservoir de la pompe, empêchant ainsi la production de condensat. L'installateur peut également configurer cet interrupteur de manière à fermer le circuit lorsque le niveau d'eau est élevé, afin de faire fonctionner un avertisseur ou relais (non inclus avec la pompe).

Veillez examiner votre pompe soigneusement afin de vous assurer qu'aucun dommage ne s'est produit pendant l'expédition. Dans le cas contraire, veuillez communiquer avec le vendeur. Il vous aidera à obtenir un remplacement ou une réparation, le cas échéant.

Ce produit est couvert par une garantie limitée pour une période de 12 mois à compter de la date d'achat originale par le consommateur. Pour obtenir des informations complètes sur la garantie, consultez www.LittleGiant.com.



Spécifications

Série de modèles	Volts	HZ	Ampères	Watts	Arrêt
VCC-20ULS	115	60	1.5	93	20' (6.1 m)
VCC-20ULS	230	50/60	0.6/0.5	75	17' (5.2 m)

CONSIGNES DE SÉCURITÉ

Avant de commencer

Cet équipement doit être installé et entretenu par des techniciens qualifiés capables de choisir et d'utiliser les outils, les équipements et les procédures appropriés. Le non-respect des codes électriques et codes de plomberie local et national et des recommandations de Little Giant pourrait mener à une électrocution ou un incendie, une mauvaise performance ou une défaillance de l'équipement.

Lisez et suivez attentivement les instructions pour éviter toute blessure ou tout dommage matériel. Ne démontez pas et ne réparez pas l'appareil si ces opérations ne sont pas décrites dans le présent manuel.

Consulter la plaque signalétique du produit pour obtenir des instructions et des spécifications de fonctionnement supplémentaires.

Le non-respect des procédures d'installation ou d'utilisation et de tous les codes en vigueur peut entraîner les risques suivants:

⚠ DANGER



Risque de mort, de blessure corporelle ou de dommage matériel en raison d'une explosion, d'un incendie ou d'une électrocution.

- Ne pas utiliser pour pomper des liquides inflammables ou explosifs comme l'essence, le mazout, le kérosène, etc.
- Ne pas utiliser dans une atmosphère explosive ou un emplacement dangereux selon le Code national de l'électricité, ANSI/NFPA70.
- Ne pas manipuler une pompe ou un moteur de pompe avec les mains mouillées ou debout sur une surface humide ou mouillée, ou dans de l'eau.
- Lorsqu'une pompe est en mode de fonctionnement, ne pas toucher le moteur, les tuyaux ou l'eau tant que l'unité n'a pas été débranchée ou déconnectée électriquement.
- Si le dispositif de coupure du circuit d'alimentation se situe hors site, le verrouiller en position ouverte et le consigner afin d'empêcher toute mise sous tension inopinée.
- Si le panneau du disjoncteur n'est pas accessible, contacter la compagnie d'électricité afin que le courant soit coupé.

CONSIGNES DE SÉCURITÉ

Avant de commencer

⚠ AVERTISSEMENT



Risque de blessure grave ou de mort par électrocution.

- Pour réduire le risque de choc électrique, débranchez l'alimentation avant de travailler sur le système ou autour de celui-ci. Plusieurs interrupteurs d'isolement peuvent être nécessaires pour décharger l'équipement avant de procéder à son entretien.
- Raccorder le système de pompe en respectant la tension indiquée.
- Assurer de brancher la pompe à un circuit protégé par un disjoncteur de défaut à la terre (GFCI) si requis par le code.
- Vérifier les prises électriques à l'aide d'un analyseur de circuit pour s'assurer que les fils de phase, de neutre et de terre sont correctement branchés. Si ce n'est pas le cas, le problème doit être corrigé par un électricien qualifié agréé.
- Certaines pompes sont fournies avec un conducteur de mise à la terre et d'une fiche de branchement de type mise à la terre. Pour réduire le risque de décharge électrique, assurez-vous qu'il est correctement raccordé à un réceptacle de type mise à la terre uniquement. Ne retirez pas la troisième broche de la fiche. La troisième broche permet de mettre la pompe à la terre afin d'éviter les éventuelles décharges électriques.
- Certaines pompes sont fournies avec des fils conducteurs et sont destinées à être câblées avec une boîte de jonction ou un autre boîtier approuvé. Les pompes sont équipées d'un connecteur de mise à la terre. Pour réduire le risque de décharge électrique, assurez-vous qu'il est correctement raccordé à la terre.
- Lors d'un câble direct de 230 V, un côté de la ligne reliée à la pompe est toujours alimenté électriquement, que l'interrupteur de contrôle du niveau de liquide soit ouvert ou fermé. Afin de prévenir tout risque lors de l'installation ou de l'entretien, installez un dispositif de découplage bipolaire à proximité de l'installation de la pompe.
- Le cordon flexible enveloppé monté sur la pompe ne peut être modifié d'aucune manière que ce soit. Il peut uniquement être raccourci si cela est nécessaire pour le faire rentrer dans le panneau de commande. Toute épissure entre la pompe et le panneau de commande doit être réalisée dans une boîte de jonction en conformité avec le code national de l'électricité. Faire appel à un électricien agréé.
- Vérifiez les codes locaux d'électricité et de bâtiment avant l'installation. L'installation doit être conforme à la réglementation ainsi qu'au NEC (Code américain de l'électricité) le plus récent et l'OSHA (loi sur la santé et la sécurité au travail des États-Unis).
- Ne pas soulever la pompe à l'aide du cordon électrique.
- Ne pas utiliser de rallonge.
- La pompe doit être utilisée uniquement avec des liquides compatibles avec les matériaux de ses composants. Si la pompe est utilisée avec des liquides incompatibles avec les composants de la pompe, le liquide peut provoquer une défaillance du système d'isolation électrique entraînant un choc électrique.

⚠ ATTENTION



Risque de blessure, de choc électrique ou de dégâts matériels.

- Cet équipement ne doit pas être utilisé par des enfants ou des personnes aux capacités physiques, sensorielles ou cognitives réduites, ou par des personnes n'ayant pas l'expérience ou l'expertise appropriée, sauf si ces personnes sont supervisées ou ont reçu des instructions à cet effet. Les enfants ne doivent pas utiliser l'équipement ni jouer avec l'appareil ou dans sa proximité immédiate.
- L'équipement peut démarrer automatiquement. Effectuer les procédures de verrouillage/étiquetage avant d'entretenir l'équipement.
- Une pompe inopérante ou défectueuse pourrait entraîner une inondation, des blessures corporelles ou des dommages matériels.
- L'utilisation de cet équipement nécessite les instructions d'installation et d'utilisation détaillées fournies dans le présent manuel à utiliser avec ce produit. Lisez le manuel intégralement avant de procéder à l'installation et à l'utilisation du produit. L'utilisateur final doit recevoir et conserver le manuel pour consultation ultérieure.
- Garder les étiquettes de sécurité propres et en bon état.
- Garder la zone de travail propre, bien éclairée et dégagée.
- Porter des lunettes de sécurité lors de l'installation ou de l'entretien de la pompe.

AVIS

Risque de dommages à la pompe ou d'autres équipements.

- Avant d'installer la pompe, faire faire plusieurs cycles au climatiseur pour recueillir le condensat dans un contenant séparé afin d'éliminer les huiles résiduelles qui seraient encore présentes dans le système. Ne pas procéder à la vidange du système pourrait entraîner des dommages à la pompe et aux conduites de récupération des fluides.
- En cas d'utilisation dans un environnement de four à gaz, il faut veiller à ce que l'acidité du condensat ne tombe pas en dessous de la moyenne de 3,4 (afin d'éviter qu'une poche d'acide localisée se forme et devienne agent de corrosion à la manière d'une batterie), prévoir de nettoyer le réservoir régulièrement ou de le rincer avec de l'eau.
- Soutenir la pompe et la tuyauterie au cours de l'assemblage et après installation. Un manquement pourrait entraîner la rupture des tuyaux, la défaillance de la pompe, la défaillance des paliers du moteur, etc.
- Ne pas installer la pompe d'une manière qui l'assujettisse aux éclaboussures ou à la pulvérisation.
- Inspecter périodiquement la pompe et les composants du système. Vérifier régulièrement que les tuyaux flexibles ne montrent pas de signe de faiblesse ou d'usure et que les branchements sont tous fiables.
- Prévoir et effectuer un entretien régulier, conformément aux exigences énoncées à la section sur l'entretien.
- La pompe est pour l'usage d'intérieur seulement
- N'utilisez pas cette pompe à l'intérieur des plénums d'air.

INSTALLATION

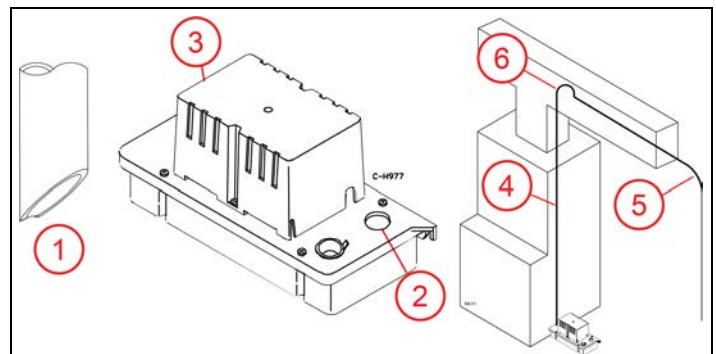
Installation Physique

1. Installer la pompe sur une surface plane.
 - S'assurer que la surface de montage peut supporter le poids combiné de la pompe et du réservoir rempli d'eau.
 - Veiller à ne pas boucher ni obstruer les ouvertures d'aération sur le boîtier du moteur) pour permettre à l'air de circuler librement.
 - Assurez-vous que la pompe est de niveau et que l'entrée est sous le drain de la bobine.
2. La pompe peut également être montée sur un mur ou sur le côté d'un climatiseur ou d'un fournaise. Le réservoir dispose de deux fentes de montage, situées à chacune de ses extrémités.

Raccordements de tuyauterie

Raccorder la tubulure d'entrée et de sortie:

1. Coupez l'extrémité du tuyau d'évaporateur ou du drain du four à un angle de 45° comme indiqué pour éviter que le tuyau (s) ne soit fermé lorsqu'il est assis contre le plancher du réservoir.
2. Acheminer le tube de l'évaporateur et l'insérer dans l'orifice d'entrée de la pompe.
3. Installer la tubulure ou tuyauterie de sortie sur la soupape de contrôle de sortie et la fixer avec le collier de serrage (non fourni). Utilisez 3/8 pouces de diamètre intérieur maximum tubulure ou tuyauterie pour éviter un écoulement excessif de retour à l'unité.
4. Acheminez la tubulure ou tuyauterie de sortie de la pompe vers le haut aussi haut que nécessaire. Ne pas dépasser 75% de la charge hydraulique (gal/h) de la pompe.
5. À partir du point le plus haut, inclinez légèrement le tuyau de refoulement vers le bas jusqu'à un point au-dessus de la zone d'écoulement. Ensuite, tournez vers le bas et acheminez vers un siphon approprié à un point en-dessous ou à peu près au niveau du bas de la pompe, si possible. Cela produira un effet de siphon, qui améliore l'efficacité de la pompe.
6. S'il n'est pas possible de faire incliner le tuyau vers le bas, faire un siphon « U » inversé au sommet, directement au-dessus de la pompe.



Connexions électriques

Le cordon d'alimentation doit être raccordé à une source d'alimentation électrique constante dont la tension correspond à celle indiquée sur la plaque signalétique de la pompe.

- La pompe doit être connectée ou branchée sur son propre circuit, sans autre prise ou équipement sur la ligne du circuit. Ne le raccordez pas à un ventilateur ou à tout dispositif fonctionnant par intermittence.
- Les fusibles et les disjoncteurs doivent être d'une capacité suffisante dans le circuit électrique.
- Assurez-vous que cette pompe est raccordée à un circuit doté d'un disjoncteur différentiel de fuite à la terre (DDFT) si requis par le code.

Certains modèles sont fournis avec des fils aux extrémités dénudées. Les connexions d'alimentation, doivent être réalisées/installés dans une boîte de jonction en conformité avec le code national de l'électricité. Le code de couleurs suivant est utilisé pour les cordons d'alimentation :

- Vert/jaune = Terre; Marron = Ligne; Bleu = Ligne (230 V) ou Neutre (115 V)

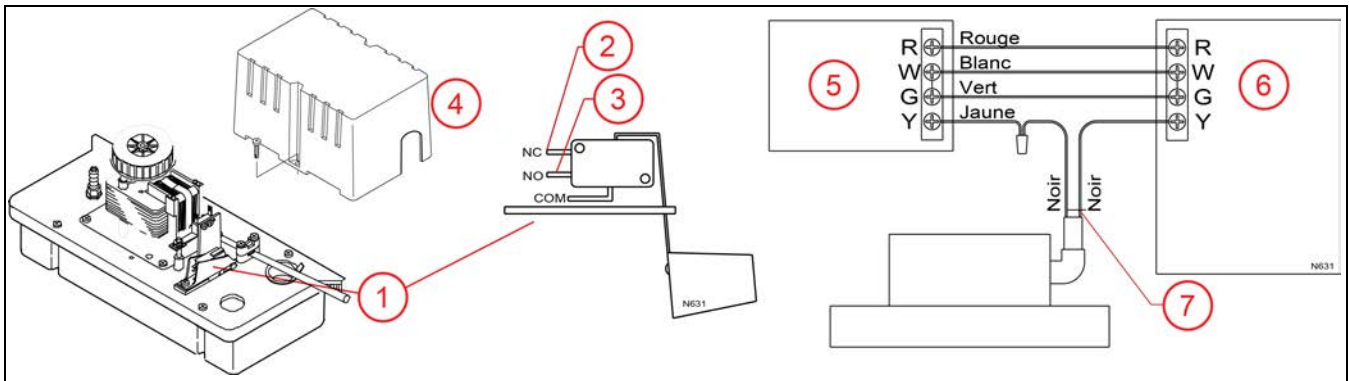
Important: Le cordon d'alimentation ne peut pas être remplacé. En cas de dommages, l'unité entière doit être remplacée.

Câbler l'interrupteur auxiliaire pour niveau d'eau élevé

⚠ ATTENTION

Risque de blessures corporelles ou de dommages matériels.

- Dans les applications où des dommages matériels et/ou des blessures corporelles pourraient découler du non-fonctionnement ou d'une fuite de la pompe en raison de pannes de courant, d'une obstruction de la ligne de refoulement ou de toute autre raison, un ou des systèmes de secours (par exemple un interrupteur auxiliaire) et/ou une alarme doivent être utilisés et surveillés.
- L'interrupteur auxiliaire en cas de niveau élevé doit être connecté à un circuit de faible voltage de classe II. Les deux fils de l'interrupteur auxiliaire sont de couleur noire. Ne pas confondre ces fils avec les conducteurs de tension composée.
- L'interrupteur auxiliaire en cas de niveau élevé doit être orienté de façon à inverser la fonction normale des bornes normalement ouvert et normalement fermé. Suivre très attentivement les instructions ci-dessous.



1. Interrupteur pour niveau d'eau élevé
2. Borne NC. Connectez ici pour activer une alarme ou un relais externe.
3. Borne NO. Connectez ici pour arrêter l'unité de condensation du système de chauffage/refroidissement.
4. Capot moteur
5. Thermostat
6. Climatiseur/fournaise
7. Câbles de commutation de niveau

Il y a deux options pour relier le commutateur de haut niveau:

1. Le commutateur est câblé en usine aux bornes NO et COM. Cette configuration va ouvrir (casser) un circuit électrique lorsque l'interrupteur est activé par un niveau d'eau élevé dans le réservoir, qui peut être utilisé pour arrêter le ou les groupe (s) de condensation du système de chauffage/refroidissement.

Consultez le manuel d'utilisation du thermostat et de l'unité de chauffage/refroidissement pour connaître le fonctionnement attendu de l'interrupteur et les connexions des fils. Connectez les fils conducteurs de l'interrupteur (7) en série avec le circuit du thermostat basse tension comme indiqué dans le manuel de l'unité de chauffage/refroidissement.

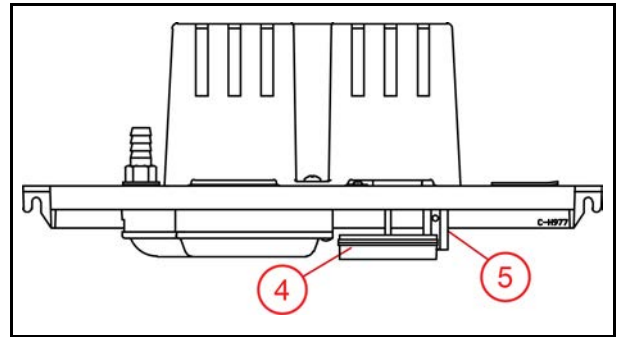
2. L'installateur peut reconfigurer cet interrupteur à la borne NF pour fermer un circuit basse tension en cas de niveau d'eau élevé, afin d'activer une alarme ou un relais externe (vendus séparément). Utilisez la procédure suivante si une configuration NC est requise:
 - Retirer le couvercle du moteur de la pompe (4).
 - Soutenir l'interrupteur et passer soigneusement le fil de connexion supérieur de la borne NO (3) à la borne NC (2).
 - Réinstaller soigneusement le couvercle du moteur de la pompe.
 - Connecter les fils de connexion de l'interrupteur au circuit à faible voltage du composant externe comme le recommande le manuel le composant.

Accoler l'étiquette « ATTENTION TECHNICIEN D'ENTRETIEN » fournie avec la pompe bien visiblement à l'extérieur du panneau d'accès.

Test de fonctionnement

Pour tester le fonctionnement du système, procédez comme suit:

1. Débranchez l'alimentation de la pompe.
2. Retirez l'ensemble de capot du réservoir.
 - Retirer les quatre vis fixant l'assemblage au réservoir.
 - Soulever cet assemblage avec précaution au-dessus du réservoir et le maintenir à niveau.
3. Mettre la pompe sous tension.
4. Tester l'interrupteur de fonctionnement de la pompe en faisant monter le flotteur.
 - Le moteur devrait démarrer avant que le flotteur de l'interrupteur ne touche le dessous du couvercle du réservoir.
5. Tester l'interrupteur auxiliaire pour niveau élevé en faisant monter le flotteur de cet interrupteur.
 - L'interrupteur pour niveau élevé devrait se déclencher avant que le flotteur ne touche le dessous du couvercle du réservoir.
 - Si câblé à la borne NO, l'appareil de traitement de l'air devrait s'arrêter avec la levée du flotteur.
 - Si câblé à la borne NC, le composant externe (avertisseur ou relais) devrait se mettre en marche avec la levée du flotteur.
6. Débranchez l'alimentation de la pompe.
7. Remettez l'ensemble de capot sur le réservoir.
8. Mettre la pompe sous tension.



ENTRETIEN

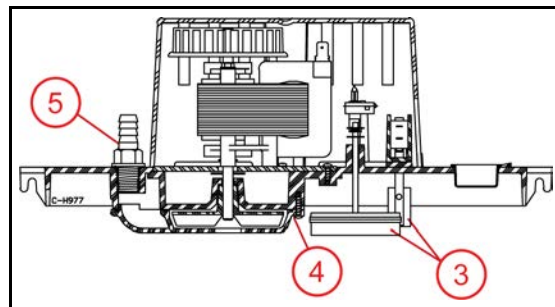
⚠ ATTENTION

Risque de blessures corporelles ou de dommages matériels.

- Ne pas laisser le réservoir déborder pendant les travaux d'entretien.
- Inspecter et tester l'état et le fonctionnement de la pompe de relevage de condensats tous les six mois (plus fréquemment en cas d'utilisation intensive).

Pour inspecter et nettoyer le réservoir et les autres composants, suivez ces étapes :

1. Débranchez l'alimentation de la pompe.
2. Retirez l'ensemble de capot du réservoir.
 - Retirer les quatre vis fixant l'assemblage au réservoir.
 - Soulever cet assemblage avec précaution au-dessus du réservoir.
3. S'assurer que le mouvement des flotteurs reste libre. Nettoyer au besoin.
4. Retirer la volute et vérifier si elle est obstruée. Nettoyer au besoin.
5. Retirez la soupape antiretour et lavez à contre courant le port de refoulement dans la volute. Effectuez cette opération au-dessus d'un évier.
6. Nettoyer le réservoir à l'eau chaude avec un savon doux.
7. Rincer le réservoir avec de l'eau. Cela permet de s'assurer que le condensat résiduel ne crée pas de poches d'acide localisées qui pourraient causer des piqûres.
8. Vérifier les tuyaux d'aspiration et de refoulement. Nettoyer au besoin. Vérifier l'absence de pli, de coque ou de coude brusque qui bloquerait l'écoulement dans les conduits.
9. Remettez l'ensemble de capot sur le réservoir.
10. Tester le fonctionnement du système.



Dépannage

Problème	Causes probables	Mesure corrective
La pompe ne démarre pas lorsque le réservoir est rempli d'eau de condensat.	La pompe n'est pas branchée à l'alimentation électrique.	Raccordez la pompe à un circuit dédié équipé d'une prise DDFT.
	Le disjoncteur est éteint ou le fusible a été retiré.	Mettez le disjoncteur sous tension ou remplacez le fusible.
	Accumulation de débris ou colmatage du flotteur.	Nettoyez le flotteur ; il est possible qu'un flotteur sale soit trop lourd pour fonctionner correctement.
	Obstruction du mouvement du flotteur.	Retirez le réservoir. Vérifiez la trajectoire de mouvement du flotteur. Retirez tous débris ou toute obstruction.
	Interrupteur défectueux.	Remplacez la pompe.
	Moteur défectueux.	Remplacez la pompe.
Le condensat débord-e du réservoir.	La pompe n'est pas branchée à l'alimentation électrique.	Raccordez la pompe à un circuit dédié équipé d'une prise DDFT.
	L'afflux de liquide atteint ou dépasse la capacité de sortie de la pompe.	Une pompe de plus grande taille est nécessaire. S'il est correctement connecté au circuit, l'interrupteur de niveau élevé doit couper le climatiseur ou déclencher une alarme lorsque ce cas se présente. Assurez-vous que l'interrupteur de niveau élevé de la pompe est connecté au climatiseur (ou au circuit d'alarme), et que les fils conducteurs sont connectés aux bon-nes bornes de l'interrupteur pour l'application.
	La pompe n'est pas de niveau.	Assurez-vous que la pompe est de niveau. Si la pompe n'est pas de niveau, elle peut ne pas s'activer, ce qui entraînera un débordement d'eau du réservoir. Placez l'unité sur une surface plane de niveau.
	Accumulation de débris ou colmatage du flotteur.	Nettoyez le flotteur. Il est possible qu'un flotteur sale soit trop lourd pour fonctionner correctement.
	Soupape antiretour bloquée ou bouchée	Retirez la soupape antiretour et vérifiez qu'elle fonctionne correctement.
	Le débit de sortie est bloqué.	Contrôlez la tuyauterie de sortie afin de vous assurer qu'elle n'est pas cou-dée ou obstruée. Nettoyez la boue et les débris de tout tuyau obstrué. Nettoyez la tuyauterie d'entrée et de sortie.
	La roue de la pompe ne tourne pas.	Nettoyez toute obstruction dans le boîtier de la roue.
	Interrupteur défectueux. Moteur défectueux.	Remplacez la pompe. Remplacez la pompe.
La pompe ne s'éteint pas.	Obstruction du mouvement du flotteur.	Retirez le réservoir. Vérifiez la trajectoire de mouvement du flotteur. Retirez tous débris ou toute obstruction.
	L'afflux de liquide atteint ou dépasse la capacité de sortie de la pompe.	Une pompe de plus grande taille est nécessaire. S'il est correctement connecté au circuit, l'interrupteur de niveau élevé doit couper le climatiseur ou déclencher une alarme lorsque ce cas se présente. Assurez-vous que l'interrupteur de niveau élevé de la pompe est connecté au climatiseur (ou au circuit d'alarme), et que les fils conducteurs sont connectés aux bonnes bornes de l'interrupteur pour l'application.
	Interrupteur défectueux.	Remplacez la pompe.
La pompe fonctionne, mais elle ne refoule pas le liquide.	Soupape antiretour bloquée ou bouchée.	Retirez la soupape antiretour et vérifiez qu'elle fonctionne correctement.
	La pompe est soulevée trop haut.	Vérifiez le rendement de la pompe nominale.
	L'entrée de la roue est bouchée.	Tirez la pompe et nettoyez.
	Le débit de sortie est bloqué.	Contrôlez la tuyauterie de sortie afin de vous assurer qu'elle n'est pas cou-dée ou obstruée. Nettoyez la boue et les débris de tout tuyau obstrué. Nettoyez la tuyauterie d'entrée et de sortie.
La pompe n'atteint pas la puissance nominale.	Soupape antiretour bloquée ou bouchée.	Retirez la soupape antiretour et vérifiez qu'elle fonctionne correctement.
	La pompe est soulevée trop haut.	Vérifiez le rendement de la pompe nominale.
	Tension faible, vitesse trop lente.	Vérifiez que la tension d'alimentation correspond au courant nominal indiqué sur la plaque signalétique.
	La roue ou le tuyau de refoulement est bouché(e).	Tirez la pompe et nettoyez. Vérifiez que le tuyau est exempt de tartre ou de corrosion.
La pompe tourne en continu.	Fuite de la soupape antiretour.	Retirez la soupape antiretour et vérifiez qu'elle fonctionne correctement.



Pour l'aide technique, entrez s'il vous plaît en contact :

800.701.7894 | littlegiant.com

Form 993554 Rév. 001 07/19

Little GIANT[®]

Franklin Electric Co., Inc. | Oklahoma City, OK 73157-2010

Droits d'auteur © 2019, Franklin Electric, Co., Inc. Tous droits réservés.