

## CP SERIES

### APPLICATIONS

- For use in evaporative coolers, sales displays, laboratories, water bath circulation and many other uses. Ideal as a universal OEM replacement pump
- Ideal for residential, commercial, and industrial cooler pump replacement

### FEATURES

- High quality concentric fan-cooled double coil motor
- Thermal overload protection
- One-piece corrosion resistant steel shaft
- Universal mounting configurations
- 45° discharge adapter
- Optional 90° elbow with bleed off port included
- Low pump down and recovery level
- Grounded electric plug
- 5 ft electric cord on CP1 and CP2 models
- 6 ft electric cord on CP3 models
- Flame retardant housing
- Snap-off volute plate for easy cleaning

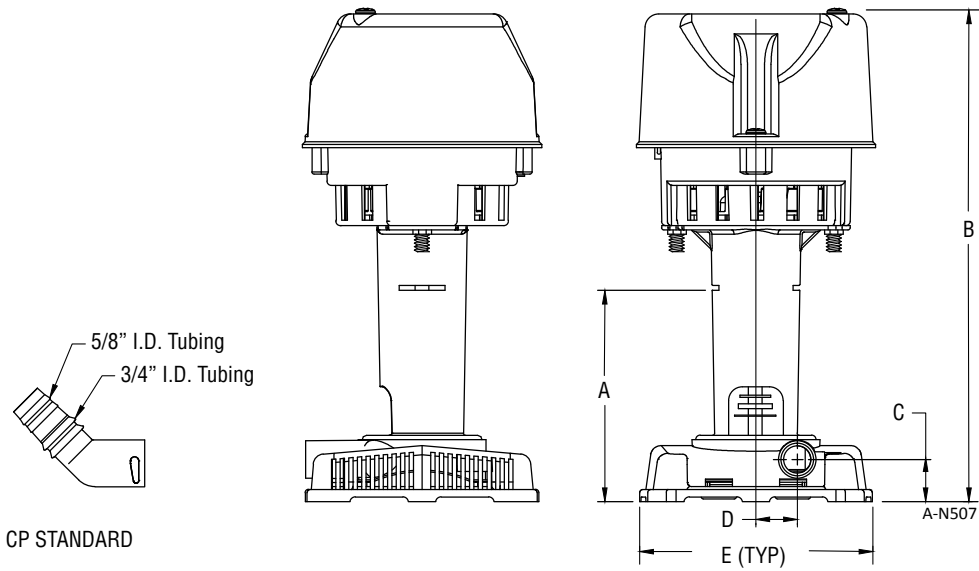


### SERIES SPECIFICATIONS

Item No.	Model	HP	Input Voltage	Hz	Amps (FLA)	Watts (kW)	Discharge Size	Performance GPH (LPH) @ Head				Shut-Off Ft.	PSI	Cord	Weight (lbs)
								1'	3'	5'	10'				
540005	CP1-115	1/70	115/127	60	0.8	70	1/2", 5/8", 3/4"	307 (1164)	265 (1004)	213 (807)	-	9.5 (2.9 m)	4.1	5 (1.5 m)	2.5 (1.1 Kg)
540015	CP1-230	1/70	230	50/60	0.4	70	1/2", 5/8", 3/4"	307 (1164)	265 (1004)	213 (807)	-	9.5 (2.9 m)	4.1	5 (1.5 m)	2.5 (1.1 Kg)
541005	CP2-115	1/50	115	60	1.0	80	5/8", 3/4"	502 (1903)	440 (1668)	371 (1406)	89 (337)	11 (3.4 m)	4.8	5 (1.5 m)	3 (1.4 Kg)
541015	CP2-230	1/50	230	50/60	0.5	80	5/8", 3/4"	502 (1903)	440 (1668)	371 (1406)	89 (337)	11 (3.4 m)	4.8	5 (1.5 m)	3 (1.4 Kg)
542005	CP3-115	1/30	115	60	1.1	90	5/8", 3/4"	563 (2134)	512 (1941)	460 (1743)	231 (876)	12 (3.7 m)	5.2	6 (1.8 m)	3.5 (1.6 Kg)
542015	CP3-230	1/30	230	50/60	0.56	90	5/8", 3/4"	563 (2134)	512 (1941)	460 (1743)	231 (876)	12 (3.7 m)	5.2	6 (1.8 m)	3.5 (1.6 Kg)

# CP SERIES

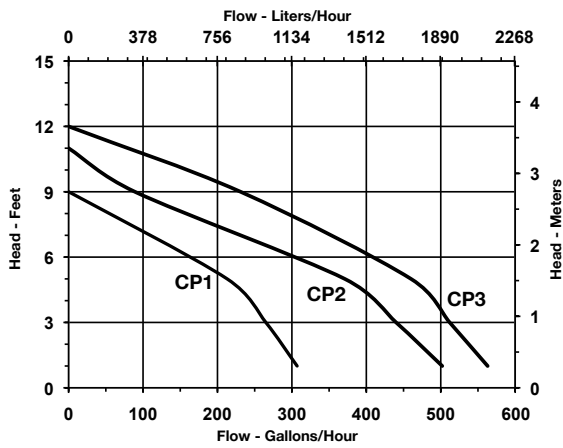
## ENGINEERING DATA



A	B	C	D	E
3.85 (97.79)	8.95 (227.33)	0.8 (20.32)	0.78 (19.81)	4.25 (107.95)

## PERFORMANCE DATA

115 V, 60 HZ



## CONSTRUCTION

Motor	Heavy duty fan cooled
Housing	Flame retardant thermal plastic
Motor Cover	Flame retardant thermal plastic
Volute	Flame retardant thermal plastic
Impeller	Polyester
Mounting Bracket	Galvanized steel