

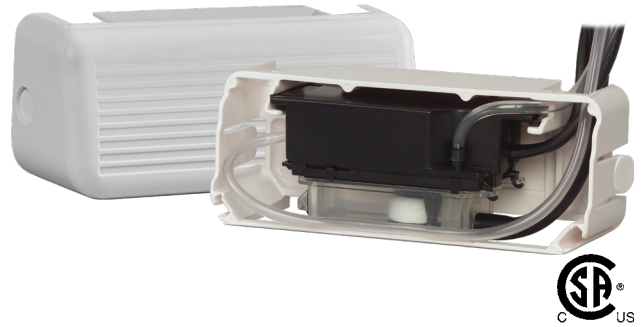
EC-OP-K SERIES

APPLICATIONS

- Removes condensate from wall mounted, ceiling and fan coil air conditioning equipment up to 34,000 BTU

FEATURES

- Pump float retainer for easy serviceability
- Clear reservoir for visual inspection of water level, float and filter
- 8A resistive – 250 V alarm contact
- 5/16" inlet tubing with universal adapter
- 5/32" discharge tubing with 1/4" adapter
- 5/32" discharge tubing
- Ambient temperature range 32 ° - 104 °F
- 176 °F thermal protection
- Alarm ready, suitable for Building Automation System
- Easy to install mounting bracket (kit only)
- Quiet operation
- Stylish pump unit cover – fits any décor (kit only)
- Easy to service without removing from the wall
- Requires no space inside the wall mount air conditioner

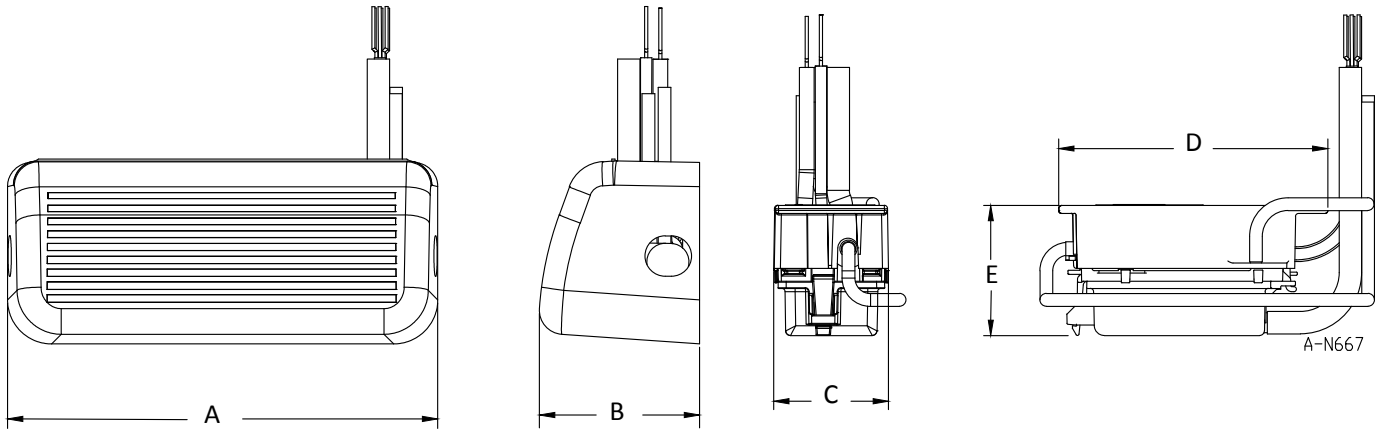


SERIES SPECIFICATIONS

Item No.	Model	Input Voltage	Hz	Amps (FLA)	Watts (kW)	Performance GPH (LPH) @ Head						Shut-Off Ft.	PSI	Weight (lbs)
						2'	4'	6'	8'	12'	20'			
553712	EC-OP-K	230	50/60	0.1	20	3.6 (13.6)	3.3 (12.5)	3 (11.4)	2.7 (10.2)	2 (7.6)	1.2 (4.5)	34.77 (10.6 m)	15	3 (1.4 KG)

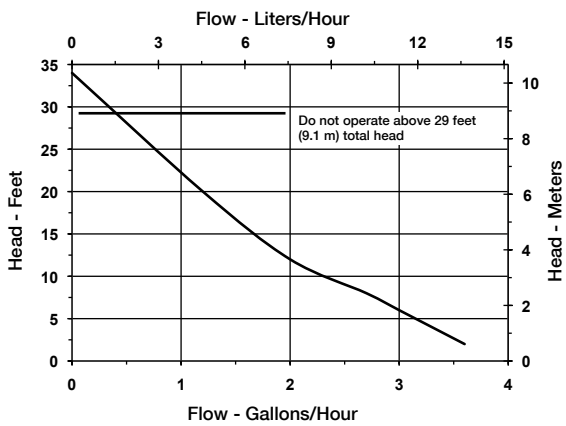
EC-OP-K SERIES

ENGINEERING DATA



A	B	C	D	E
8.43 (214.12)	3.14 (79.76)	2.25 (57.15)	5.27 (113.86)	2.55 (64.77)

PERFORMANCE DATA



CONSTRUCTION

Material	Flame retardant ABS
Fuse	3A max
Filter Screen	Stainless steel