

14S SERIES - 1/2 HP

APPLICATIONS

Sewage and effluent wastewater transfer, dewatering

FEATURES

- Permanent Split Capacitor (PSC)
- Designed for continuous duty
- 2" FNPT (51 mm) and 3" FNPT (76.2 mm) discharge models
- Handles solids up to 2" (51 mm) diameter
- 140 °F (60 °C) liquid temperature rating
- cCSAus listed



SERIES SPECIFICATIONS

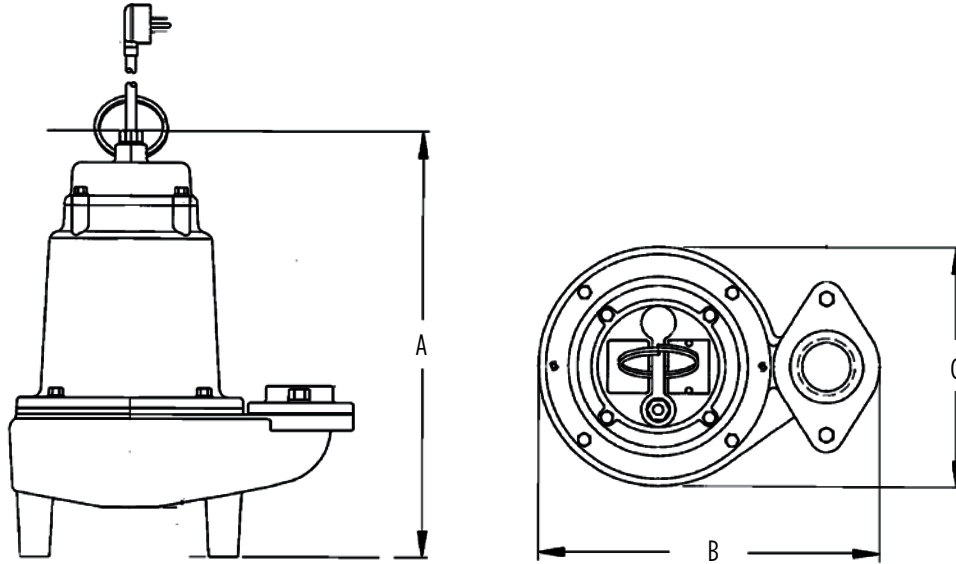
Volts	Hz	Amps		Watts	Performance (GPM @ Height in Feet)		Shut-Off (ft)	PSI
		FLA	Start		10'	20'		
115	60	11.6	21	1100	100	35	25	10.8
208-240	60	4.6	7.8	1100	100	35	25	10.8

Item No.	Model	HP	Volts	Discharge	Switch Type/Operation	Cord	Weight
514320	14S-CIM	1/2	115	2"	Manual	20' 6.1 m	85 lbs 38.6 Kg
514420	14S-CIM	1/2	115	3"	Manual	20' 6.1 m	85 lbs 38.6 Kg
514321	14S-CIM	1/2	208 - 240	2"	Manual	20' 6.1 m	85 lbs 38.6 Kg
14940726	14S-CIM	1/2	208 - 240	3"	Manual	20' 6.1 m	85 lbs 38.6 Kg

SEWAGE PUMPS

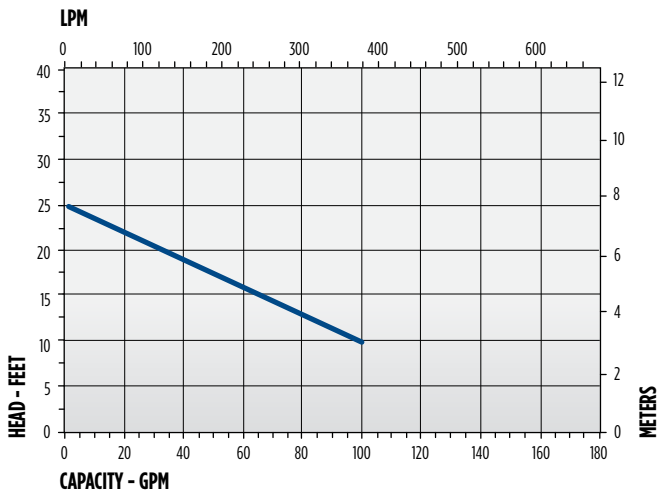
14S SERIES - 1/2 HP

ENGINEERING DATA



A	B	C
16.15" 41.02 cm	14.07" 35.74 cm	9.89" 25.12 cm

PERFORMANCE DATA



CONSTRUCTION

Motor Housing	Epoxy-coated cast iron
Impeller Material	Epoxy-coated cast iron
Impeller Type	Two-vane, non-clog
Volute	Epoxy-coated cast iron
Mechanical Shaft Seal	Nitrile with carbon and ceramic faces
Fasteners	Stainless steel
Shaft	Stainless steel
Bearings	Upper and lower ball bearings
Power Cord	16/3, STW