

SP25 SERIES - 1/4 HP

APPLICATIONS

Basement sumps, dewatering, water transfer

FEATURES

- Oil-free motor with thermal overload protection
- Designed for continuous duty
- 1-1/4" NPT (31.7 mm) discharge
- Handles up to 1/8" (3.18 mm) solids
- Built-in suction strainer
- Removable filter screen
- 120 °F (49 °C) liquid temperature rating
- cCSAus listed



SERIES SPECIFICATIONS

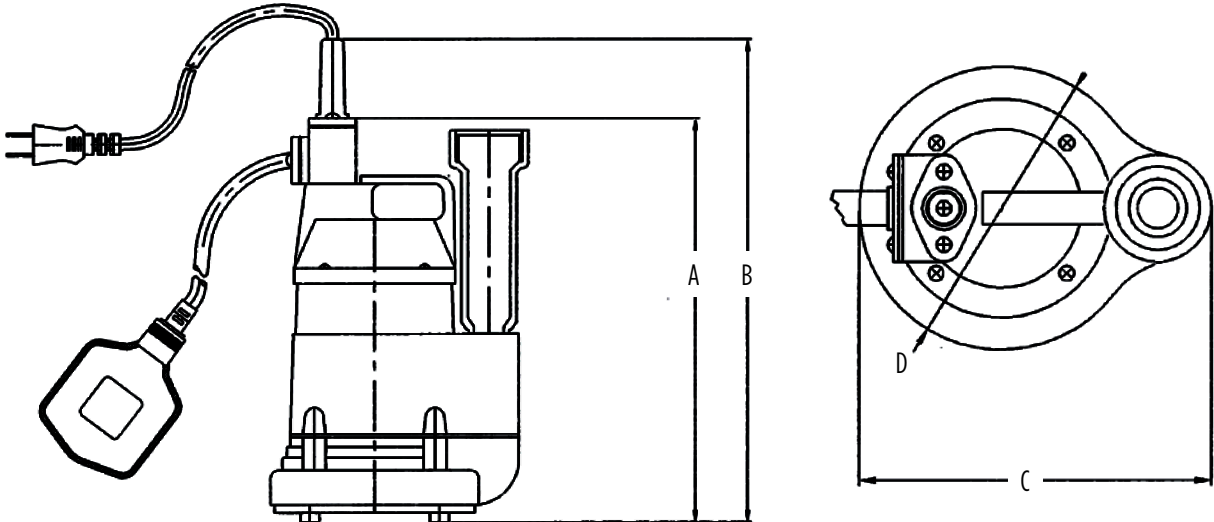
Volts	Hz	Amps		Watts	Performance (GPM @ Height in Feet)			Shut-Off (ft)	PSI
		FLA	Start		5'	10'	15'		
115	60	3.2	6.5	290	24	19	12	21	9.1

Item No.	Model	HP	Volts	Switch Type/Operation	On Level	Off Level	Cord	Weight
620136	SP25A	1/4	115	Mechanical Float	13.4" 34 cm	7.5" 19 cm	10' 3 m	8.5 lbs 3.86 Kg

SUMP PUMPS

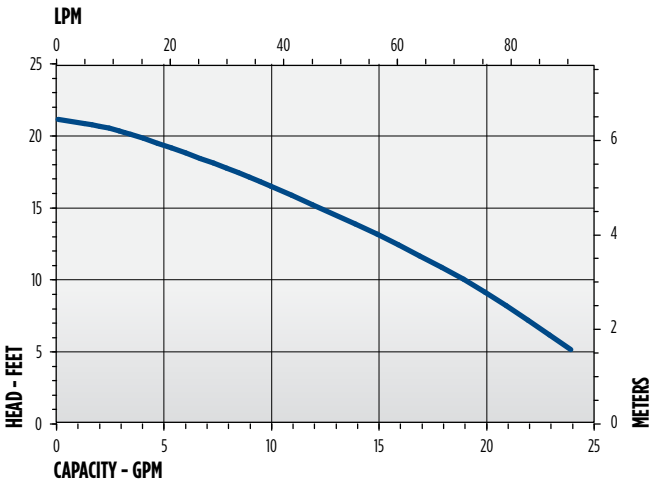
SP25 SERIES - 1/4 HP

ENGINEERING DATA



A	B	C	D
10.16"	12.13"	6.44"	5.2"
25.81 cm	30.81 cm	16.36 cm	13.21 cm

PERFORMANCE DATA



CONSTRUCTION

Motor Housing	Aluminum
Impeller Material	Thermoplastic
Impeller Type	Semi-open
Volute	Thermoplastic
Motor Shaft	Stainless steel
Shaft Seal	Lip
Fasteners	Stainless steel
Bearings	Upper and lower ball bearings
Power Cord	SJTW