

LITTLE GIANT SEWAGE ACCESSORIES & INSTRUCTIONS FOR TYPICAL INSTALLATION

BS1830CSRT-K BS1830CSRTNH-K

TYPICAL INSTALLATION (Figure 1):

Verify all parts with basin and cover assemblies are received intact. The selected discharge and vent size will determine which flanges to use. The flanges provided will allow the following discharge/vent combinations to be used: 2" discharge/3" vent, 3" discharge/2" vent, or a 2" discharge/2" vent.

NOTE: The cover has three prefabricated holes, one to fit the 2-hole cord grommet, one to fit the 2" flange, and one to fit the 3" flange or 3" to 2" reducer flange (Figure 1).

Remove proper flanges from the hardware kit to accommodate the vent/discharge combination used.

1. Remove bolts and washers in cover and set aside.
2. Remove gasket tape from hardware kit and place around circumference of basin inside of bolt circle.
3. Install the discharge pipe in the discharge of the pump and place the pump in the basin.
4. Install float switch 4" above discharge of pump with a 3-1/2" tether length. Float switch should be installed in a manner that will not allow it to contact the pump or side of basin during operation. Refer to float switch instruction sheet for alternative settings.
5. Install the Adapt-A-Flex flange that fits the discharge on the underside of the cover. Lube the Adapt-A-Flex flange and discharge pipe with petroleum jelly or other type of lubricant. Route the power cord and float switch cord through the smallest hole before installing cover. Slide the cover with the Adapt-A-Flex flange in place over the discharge pipe.
6. Install the cord grommet by placing the power cord and float switch cord in the grommet openings. Then push the grommet into the smallest hole in the cover.
7. Install an Adapt-A-Flex flange in the remaining hole that corresponds to the vent pipe size used. Lubricate the flange and vent pipe and press the vent pipe into the flange 2 to 3 inches.
8. There are two 4" flanges provided with unit for the intake depending on type of intake. For cast iron intake, use the 4" multi-tite flange that is preinstalled in the intake on the side of the tank. If the intake is 4" Schedule 40 PVC, remove the 4" multi-tite flange from the intake and install the 4" Adapt-A-Flex flange (Figure 2) that is provided in the hardware kit.

NOTE: When placing a pump with a 3" discharge into the basin, the only leg that will be placed in the molded leg holders on the bottom of the basin will be the leg directly under the discharge of the volute. The other two legs will rest on the flat surface of the bottom of the basin.

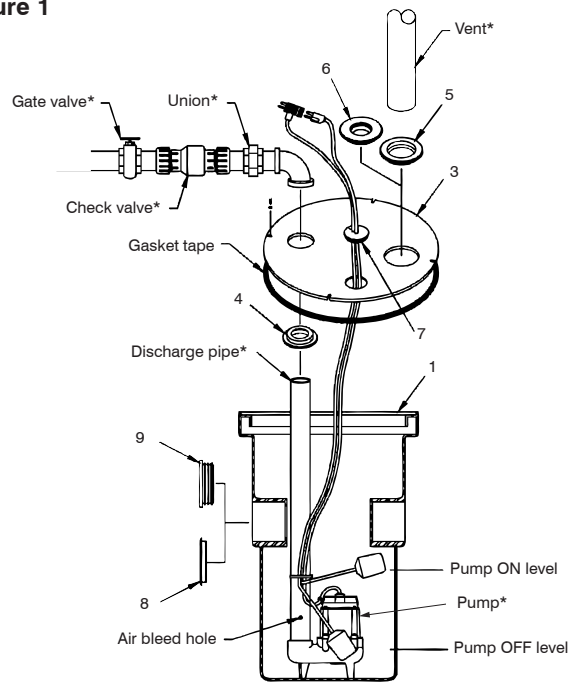
ADAPT-A-FLEX INSTALLATION INSTRUCTIONS (Figure 2):

Adapt-A-Flex fittings are constructed from neoprene plastic, are easy to install, and require no sealants. The Adapt-A-Flex design has boltless and leakproof sealing ability.

1. Using a 5.0" hole saw, cut an opening in tank sidewall and seat Adapt-A-Flex fitting as shown.
2. For ease of installation, chamfer ends of pipe before inserting through the Adapt-A-Flex.
3. Lubricate pipe with soapy water and insert as shown.

REPLACEMENT PARTS				
ITEM	PART NO.	DESCRIPTION	513240	513241
1	113039	BASIN, 18" x 30", NO HOLE	--	1
1	113056	BASIN, 18" x 30", WITH PRE-CUT HOLE	1	--
2	113058	COVER ASSEMBLY (INCLUDES ITEMS 3 - 8)	1	1
3	113057	COVER	1	1
4	113340	FLANGE, 2" PIPE	1	1
5	113341	FLANGE, 3" PIPE	1	1
6	113418	FLANGE, REDUCER, 3" to 2"	1	1
7	925020	GROMMET, 2-HOLE	1	1
8	113417	FLANGE, ADAPT-A-FLEX, 4" PIPE (FOR PVC INTAKE)	1	1
9	113419	FLANGE, MULTI-TITE (FOR CAST IRON INTAKE)	1	1

Figure 1



*Not included

Figure 2

