

APPLICATIONS

- Basement sumps • Dewatering • Water transfer

FEATURES

- Thermal overload protected motor
- Designed for continuous duty
- 1-1/4" FNPT (31.7 mm) discharge
- Handles up to 1/4" (6 mm) solids
- Adjustable snap-action float switch
- 140 °F (60 °C) liquid temperature rating
- cCSAus listed

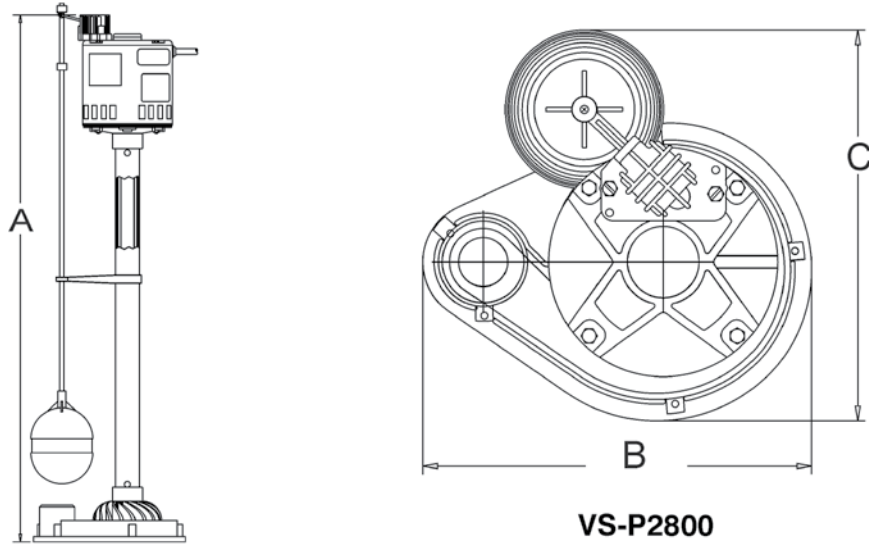


SERIES SPECIFICATIONS

Volts	Hz	Amps		Watts	Performance (GPM @ Height in Feet)			Shut-Off (ft)	PSI
		FLA	Start		5'	10'	15'		
115	60	4.0	11.2	316	47	34	10	17	7.4

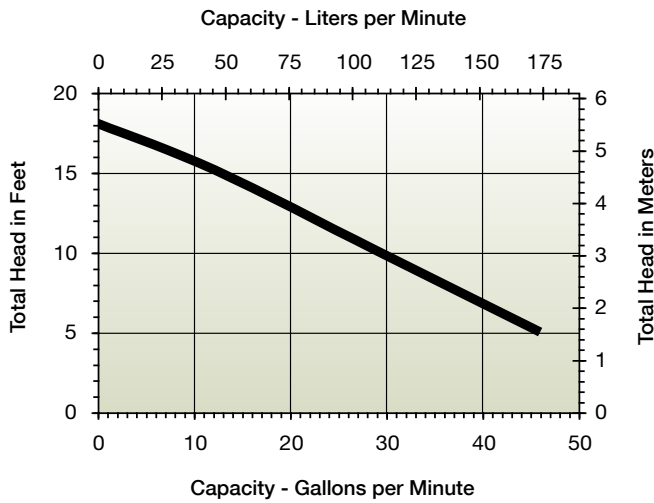
Item No.	Model	HP	Volts	Switch Type/ Operation	On Level	Off Level	Cord	Weight
547151	VS-P2800	1/3	115	Adjustable Snap-Action Float	10" - 5" 25.4 cm - 12.7 cm	9" - 4" 22.9 cm - 10.2 cm	8' 2 m	16 lbs 7.26 Kg

ENGINEERING DATA



A	B	C
33" 81.28 cm	9.52" 24.18 cm	9.55" 24.26 cm

PERFORMANCE DATA



CONSTRUCTION

Impeller Material	PVC
Impeller Type	Semi-open non-clog
Volute	ABS
Drive Shaft	PVC
Shaft Seal	N/A
Fasteners	Anodized steel
Power Cord	18-3, SJOW