

Little GIANT®

35-0M SERIES



Features

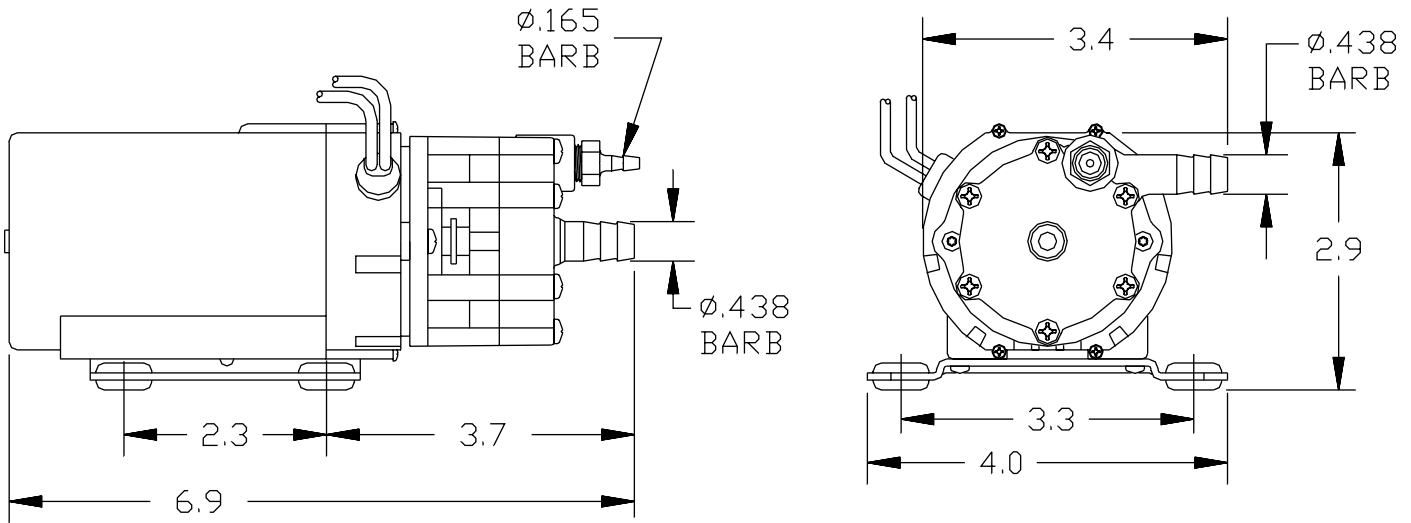
- High-pressure (35 PSIG)
- Nylon pump head
- Ryton® impeller
- Carbon/Ceramic shaft seal
- 3/8" barbed intake & discharge
- 1/4" barbed by-pass adapter
- Double-insulated motor

Construction

- Motor — 1/11 HP
- Intermittent Liquid Temp. up to — 120°F
- Intake — 3/8" O.D.
- Discharge — 3/8" O.D.
- Housing — Nylon
- Cover — N/A
- Volute — Nylon
- Impeller — Ryton®
- Shaft Seal — Carb/Ceram

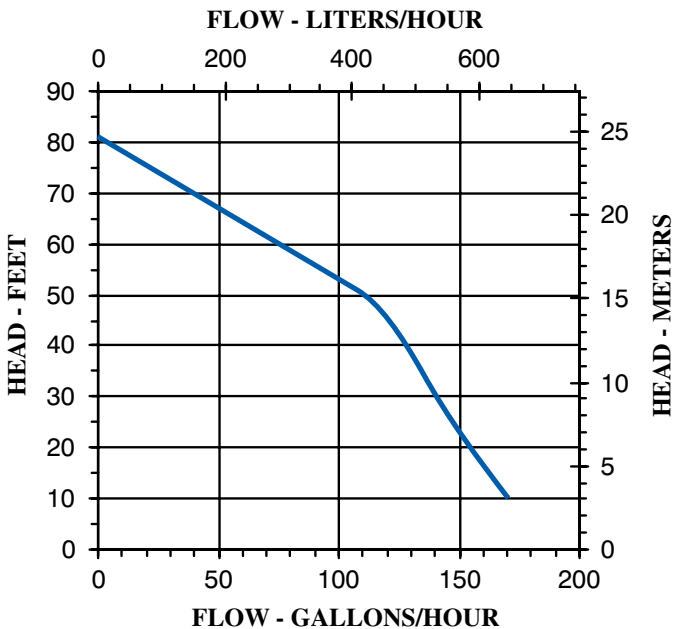
Non-submersible, high pressure pump for carpet cleaners, dispenser-displays and pressure-washer applications. Nylon pump head, Ryton® impeller, 3/8" barbed O.D. intake and discharge connections. 1/4" barbed O.D. by-pass adapter included. Double-insulated motor (non-replaceable brushes last 500 to 1,000 hours) with 94-V-O thermoplastic housing.

35-0M SERIES



Specifications

Model No.	Item No.	Discharge Size	Intake Size	Listings	HP	Volts	Hertz	Amps	Watts	Performance (GPH@Head)			Shutoff		Cord Length (ft.)	Weight (lbs.)
										10'	30'	50'	Ft.	P.S.I.		
35-0M	532002	3/8" barbed	3/8" barbed	UR	1/11	115	60	1.25	132	170	140	110	81	35.1	2	2.70
35-0M	532012	3/8" barbed	3/8" barbed		1/11	230	50/60	0.6	132	170	140	110	81	35.1	2	2.70



Replacement Parts

Volute	132101
Impeller	599106
Washer	921066
Hose Adaptor	941034
Bypass Cap	132410
Motor Base	132005
Grommet	925008