

Industrial

#1 Series



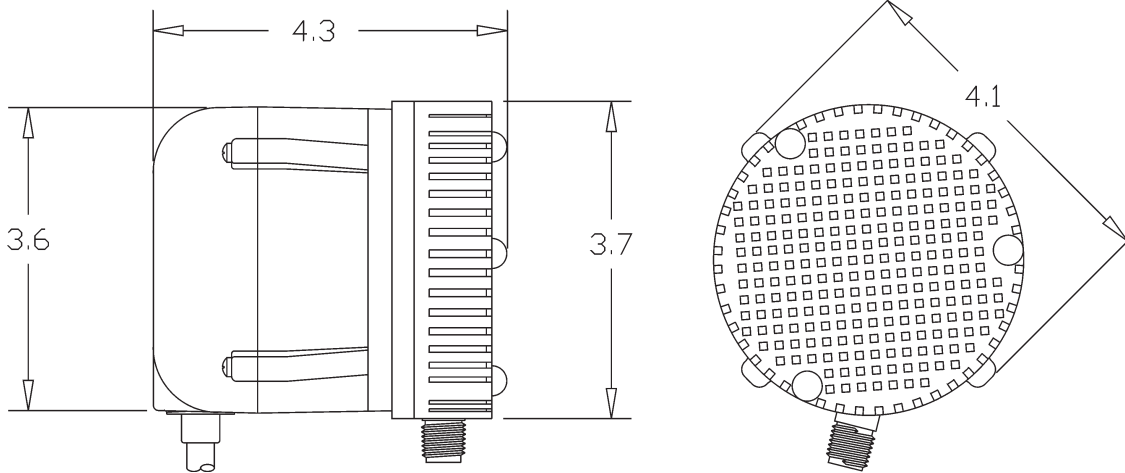
Features

- Epoxy coated die-cast aluminum housing
- Oil-filled motor
- 7.4' maximum lift
- 70 watts
- 1/4" MNPT discharge
- Thermal overload protection (except 501003)
- For submersible use only

Construction

- **MOTOR** – 1/150 HP Oil Filled.
- **INTERMITTENT LIQUID TEMP.** UP TO — 120° F.
- **INTAKE** – N/A.
- **DISCHARGE** – 1/4" MNPT.
- **HOUSING** – Epoxy coated cast aluminum
- **COVER** – Epoxy coated cast aluminum
- **VOLUTE** – Polypropylene
- **IMPELLER** – Polypropylene
- **SHAFT SEAL** – Nitrile
- **SCREEN** – Polyethylene

Dimensional Outline



Specifications

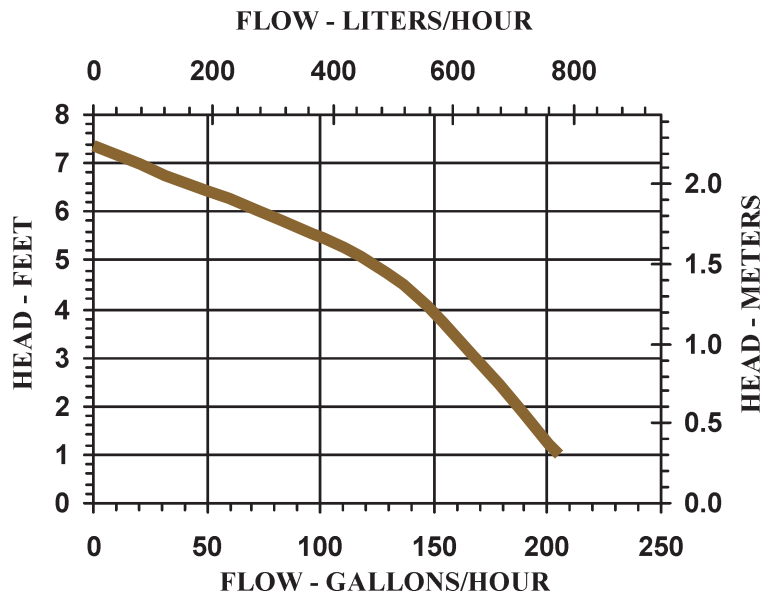
Model No.	Item No.	Discharge Size	Listing	HP	Volts	Hertz	Amps	Watts	Performance (GPM@Head)			Shutoff		Cord Length (ft.)	Weight (lbs.)
									1'	3'	5'	Ft.	P.S.I.		
1	501003	1/4" MNPT	UL	1/150	115	60	1.1	70	205	168	120	7.4	3.2	6	3.5
1	501500	1/4" MNPT	—	1/150	127	60	1.1	70	205	168	120	7.4	3.2	6	3.5
1-T	501086	1/4" MNPT	UL/CSA	1/150	115	60	1.1	70	205	168	120	7.4	3.2	10	3.7
1-Y	501016	1/4" MNPT	UR	1/150	230	50/60	.6/4	70	205	168	120	7.4	3.2	12*	3.8

* NO PLUG

Replacement Parts

Volute	101375
Impeller	101441
Screen	101376
Elbow	943470

Performance Data



Franklin Electric

P.O. Box 12010
 Oklahoma City, OK 73157-2010
 Phone: 1.800.701.7894
 Fax: 1.800.678.7867
 www.LittleGiantPump.com

©2009 Franklin Electric Co., Inc.
 Little Giant® is a registered trademark of Franklin Electric Co., Inc.
 Form 995107 — 07/09