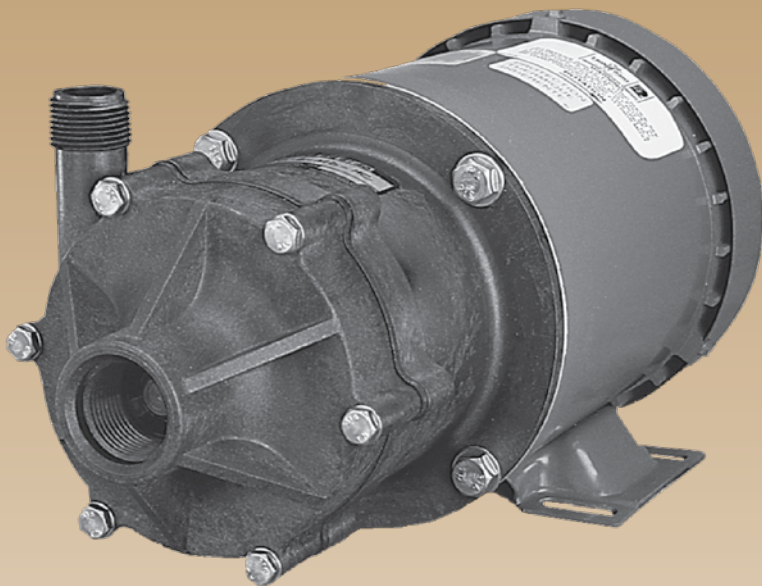


Industrial

TE-6-MD-CK



Applications

- Circulation of highly corrosive acids, alkalis, solvents, brine, plating solutions, sterile solutions, and other highly corrosive chemicals and solutions that are compatible with the pump's material of construction

Features

- Non-submersible for in-line use only
- Thermally protected, totally enclosed, fan cooled, split phase motor
- Ball bearings
- Conduit box (must be field wired – cord not included)
- Specific gravity to 1.1
- Fluid temperature to 200 °F
- Ambient air temperature to 77 °F

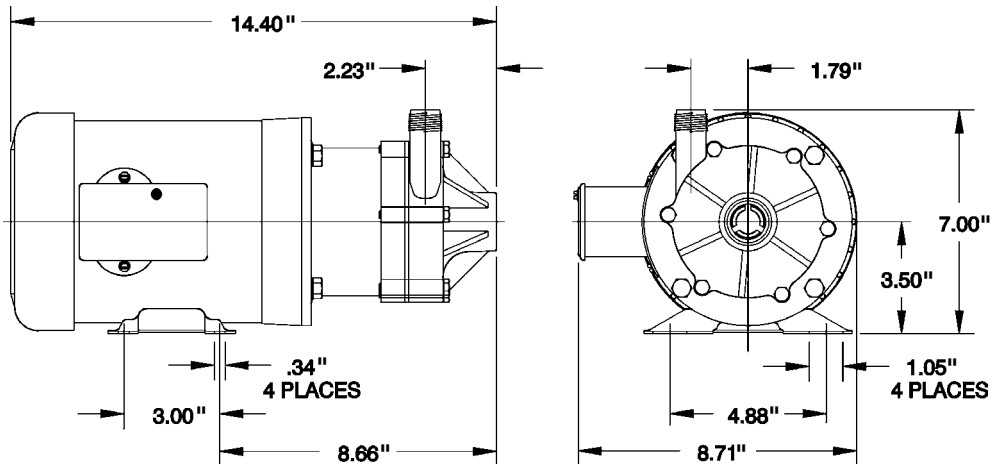
NOTE: Consult your local distributor or the factory for applications with higher ambient temperatures, specific gravities and viscosities.

Construction

- **Volute** — Carbon-filled Kynar®
- **Backplate** — Carbon-filled Kynar®
- **Impeller** — Carbon-filled Kynar® w/carbon-filled Teflon® (Chemloy) bushing, (mica-filled Teflon® bushing on 586610)
- **Shaft** — Ceramic
- **Thrust Washers** — Ceramic
- **O-Ring** — Viton®

LittleGIANT®

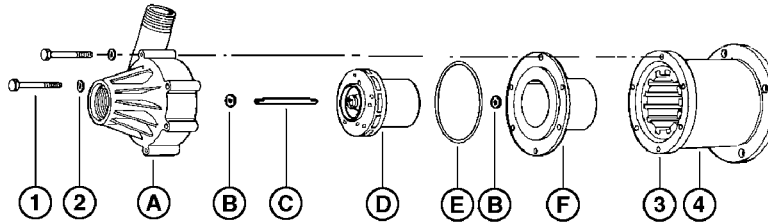
Engineering Data



NOTE: Designs and dimensions may vary for various reasons (i.e. type of motor). This information should be used as general guide rather than an unqualified guarantee. Specifications are subject to change without prior notice.

Specifications

Item No.	Model No.	HP	Volts	Hertz	Amps	Watts	Intake Size	Discharge Size	Performance (GPM @ Head 60 Hz)					Shut Off		Power Cord (ft)	Weight (lbs)
									5'	10'	20'	30'	40'	Feet	PSI		
586600	TE-6-MD-CK	1/2	115	60	9.4	835	1" FNPT	3/4" MNPT	35	33.7	30	24.6	17.5	49.1	21.3	N/A	30.00
			230	50/60	5.8/4.7	640/835											
586610	TE-6-MD-CK	1/2	115	60	9.4	835	1" FNPT	3/4" MNPT	35	33.7	30	24.6	17.5	49.1	21.3	N/A	30.00
			230	50/60	5.8/4.7	640/835											



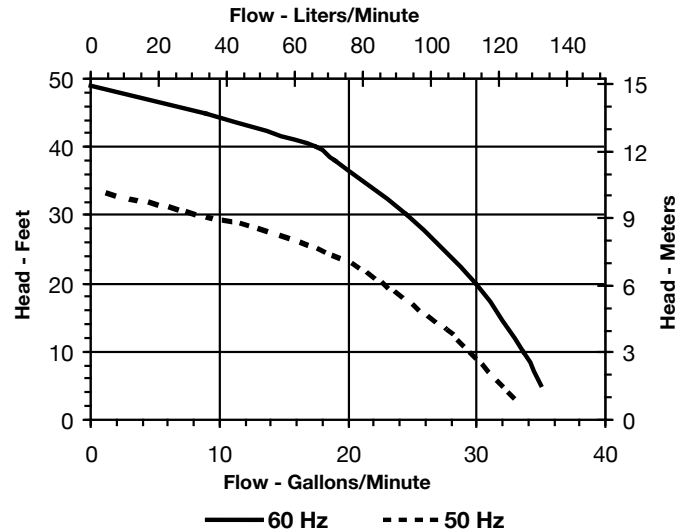
Replacement Parts

Item	Part No.	Description
A	186115	Volute
B	187085	Thrust washer
C	185100	Shaft
D	186158	Impeller w/Chemloy bushing
D	186160	Impeller w/Mica-filled Teflon® bushing for 586610
E	924016	O-ring
F	186181	Backplate
1	903712	Bolt
2	921050	Washer
3	185172	Drive magnet
4	185162	Magnet housing

NOTE: Parts A-F contact fluid

Kynar® is a registered trademark of Arkema Inc.
 Teflon® is a registered trademark of DuPont Performance Elastomers
 Viton® is a registered trademark of DuPont Performance Elastomers

Performance Data



P.O. Box 12010
 Oklahoma City, OK 73157-2010
 Phone: 1.800.701.7894
 Fax: 1.800.678.7867
 www.LittleGiantPump.com