

# Little GIANT®

## TE-4-MD-SC



### Features

- Thermally protected, totally enclosed, permanent split capacitor motor
- Sleeve bearings
- 6' power cord with 3-prong plug (no plug on 230V)
- Specific gravity to 1.1
- Fluid temperature to 150°F
- Ambient air temperature to 77°F

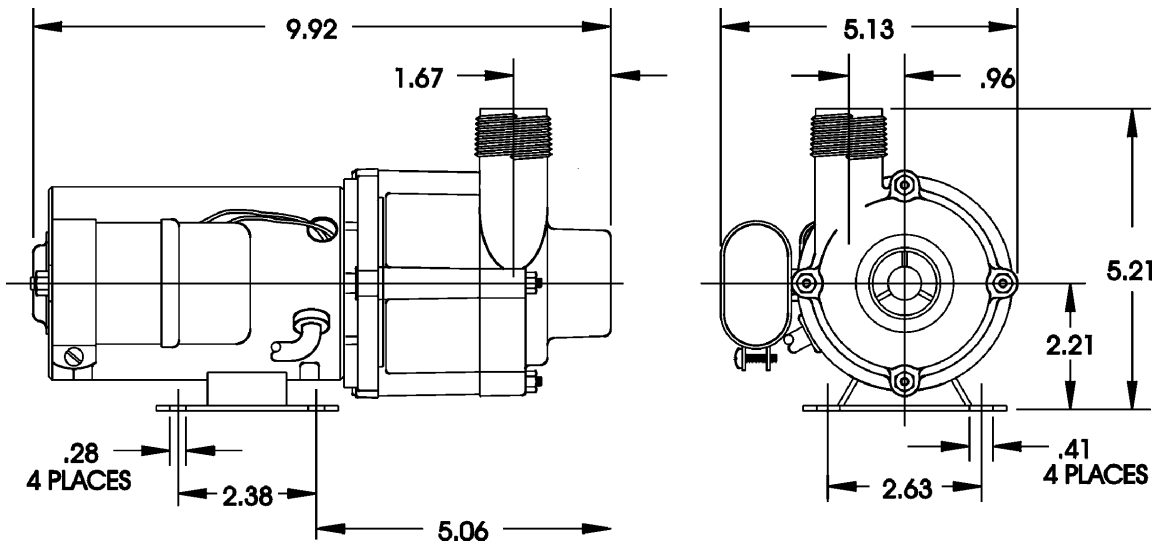
**NOTE:** Consult your local distributor or the factory for applications with higher ambient temperatures, specific gravities and viscosities.

### Construction

- Volute — Glass-filled polypropylene
- Housing — Glass-filled polypropylene
- Impeller — Glass-filled polypropylene
- Shaft — Ceramic
- Thrust Washers — Ceramic
- O-Ring — Nitrile

The Little Giant MD-SC series features leakproof, seal-less magnetic drives and are designed for in-line, non-submersible use. Volute, magnet housing and impeller are glass-filled polypropylene for excellent chemical resistance. Ceramic shaft and thrust washers are 99.5% pure alumina for excellent wear and trouble-free service. Pumping heads are easily rotated, cleaned or serviced with no special tools required. Spindle shaft is supported at both ends to prevent impeller damage during start-up and stop of pump.

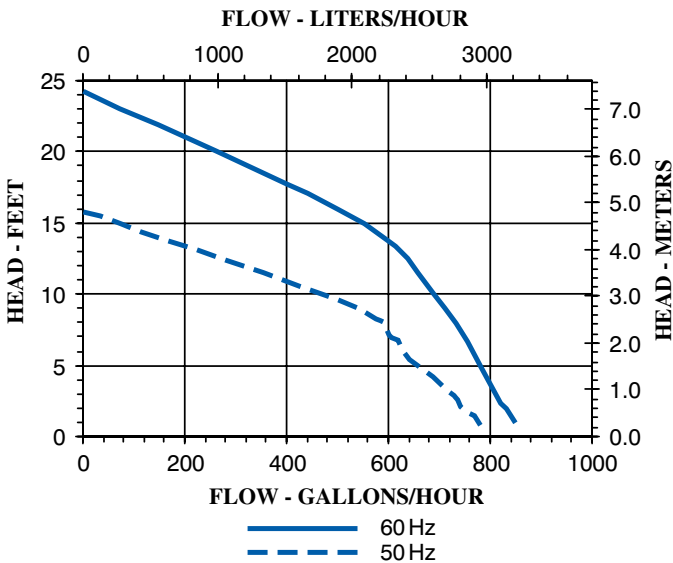
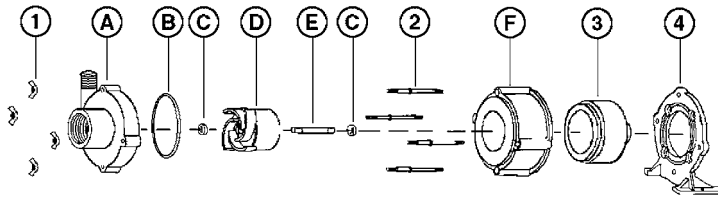
# TE-4-MD-SC



**NOTE:** Designs and dimensions may vary for various reasons (i.e. type of motor). This information should be used as general guide rather than an unqualified guarantee. Specifications are subject to change without prior notice.

## Specifications

Model No.	Item No.	Intake Size	Discharge Size	Listing(s)	HP	Volts	Hertz	Amps	Watts	Performance (GPH @ Head)					Shut Off		Power Cord (ft.)	Weight (lbs.)
										1'	3'	6'	9'	15'	Feet	PSI		
TE-4-MD-SC	582504	1" FNPT	1/2" MNPT	UR/C-CSA	1/10	115	60	1.7	147	850	810	765	710	550	24.3	10.5	6	8.00
TE-4-MD-SC	582514	1" FNPT	1/2" MNPT	UR/C-CSA	1/10	230	50/60	.5/.7	120/150	850	810	765	710	550	24.3	10.5	6	9.75



## Replacement Parts

ITEM	PART NO.	DESCRIPTION
A	182010	Volute
B	924007	O-ring
C	921077	Thrust washer
D	182132	Impeller
E	180057	Shaft
F	182005	Housing
1	920003	Wing nut
2	911403	Stud, collared
3	183602	Drive magnet
4	180037	Mounting bracket

**NOTE:** Parts A-F contact fluid