

1-ABS SERIES

APPLICATIONS

- Utilizing a sealed, submersible pump with sump-type pick-up, the 1-ABS offers low on and off levels and is ideal for in-pan placement for condensate removal. An integrated, unique float switch design assures reliability and security while providing easy access to the float for servicing.

FEATURES

- Permanently lubricated motor bearings require no maintenance during life of pump
- Oil-filled to maximize heat dissipation
- Epoxy-coated cast aluminum pump housing
- Automatic on-off operation
- Easy to remove float housing for servicing
- Includes removable inlet filter screen
- Includes 90° 1/4" MNPT adapter (suitable for 1/2" I.D. vinyl tubing)
- Low on and off level – turns on at 1-3/4" and off at 1-1/4" – will operate in most standard condensate drain pans
- Includes 9 ft power cord with molded plug (115 V versions)
- Item 550522 includes tank
- Suitable for intermittent water temperature up to 120 °F



SERIES SPECIFICATIONS

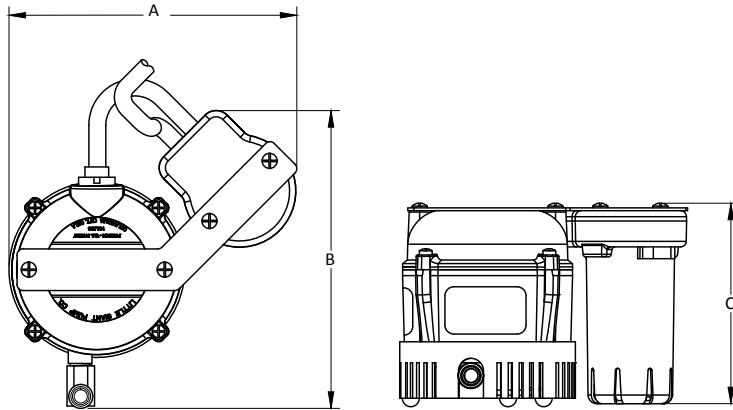
Item No.	Model	HP	Input Voltage	Hz	Amps (FLA)	Watts (kW)	Discharge Size	Performance GPH (LPH) @ Head			Shut-Off Ft.	PSI	Cord	Weight (lbs)
								1'	3'	5'				
550521	1-ABS	1/150	115	60	1.1	70	1/4" MNPT	205 (777)	180 (682.2)	145 (549.6)	10' (3 m)	4.3	9' (2.7 m)	4.11 (1.86 Kg)
550532	1-ABS	1/150	230	50/60	0.6/0.5	70	1/4" MNPT	205 (777)	180 (682.2)	145 (549.6)	10' (3 m)	4.3	11' (3.4 m)	4.31 (1.95 Kg)
550522	1-ABS with tank	1/150	115	60	1.1	70	1/4" MNPT	205 (777)	180 (682.2)	145 (549.6)	10' (3 m)	4.3	9' (2.7 m)	4.35 (1.97 Kg)

1-ABS SERIES

REPLACEMENT PARTS & KITS

Item	Part Number
Volute	116375
Impeller	116437
Seal Ring	928007
Screen	101376
Tank	150102 (for 550552 only)
Float Replacement	950060
Float Screen	950284

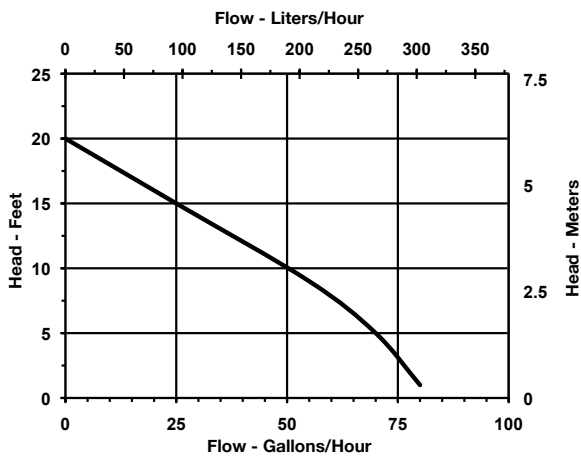
ENGINEERING DATA



A	B	C
6.09 (154.7)	6.32 (160.5)	4.31 (109.5)

PERFORMANCE DATA

115 V, 60 HZ



CONSTRUCTION

Motor	1/50 hp
Discharge	1/4" MNPT
Housing	Epoxy-coated cast aluminum
Cover	Epoxy-coated cast aluminum
Volute	Nylon
Impeller	Nylon
Shaft Seal	Nitrile
Screen	Polypropylene
Switch Bracket	Stainless steel
Switch	ABS