

TSW SERIES - 1/3 HP

APPLICATIONS

Basement sumps, flood control

FEATURES

- Permanent split capacitor motor
- Designed to be installed suspended from basin cover
- Non-corrosive construction
- Integral IntelliPlug® provides high water alarm light and 85 dba alarm with run light built in
- Leg kit raises up 2-1/4" (5.7 cm) if not used in basin
- 1-1/2" FNPT (38 mm) discharge
- Side screened inlet
- 140 °F (60 °C) liquid temperature rating
- cCSAus listed



SERIES SPECIFICATIONS

Volts	Hz	Amps		Watts	Performance (GPM @ Height in Feet)			Shut-Off (ft)	PSI
		FLA	Start		5'	10'	15'		
115	60	4.5	11.6	475	50	40	32	30	13.1

Item No.	Model	HP	Volts	Switch Type/Operation	On Level	Off Level	Alarm Level	Cord	Weight
507700	TSW-SP	1/3	115	Integral Solid State Electronic	9.5" - 10.5" 24 cm - 27 cm	2.5" - 3.5" 6.4 cm - 9 cm	11" - 12" 28 cm - 30.5 cm	10' 3 m	17 lbs 7.71 Kg

TSW SERIES - 1/3 HP

SYSTEMS AND COMPONENTS

TSW-A Series - System includes: Pump, clear view cover, and discharge kit with clear check valve

507709, TSW-A22 (For use with 22" (56 cm) basin #507705, TSW-B1822A)

507710, TSW-A30 (For use with 30" (76 cm) basin #507707, TSW-B1830A)



TSW-B Series - System includes: Pump, 22" or 30" (56 cm or 76 cm) basin, clear view cover assembly, and discharge kit with clear check valve

507711, TSW-B22A [22" (56 cm) unit]

507713, TSW-B30A [30" (76 cm) unit]



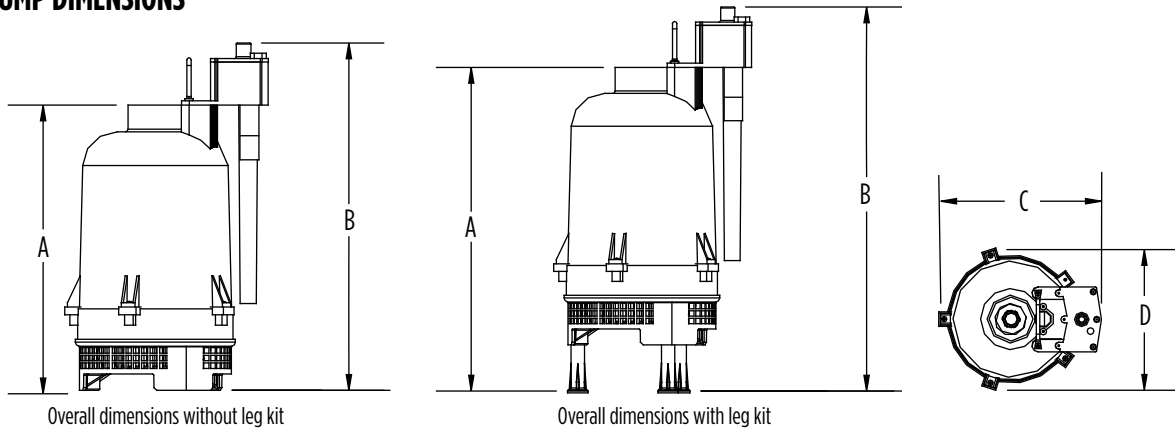
Component Variations Available:

Item	Model	Description
507700	TSW-SP	TSW Sump Pump
507702	TSW-CVC	Clear View Basin Cover
507703	TSW-DPK22	Discharge Kit for 22" (56 cm) Deep Basin
507704	TSW-DPK30	Discharge Kit for 30" (76 cm) Deep Basin
507705	TSW-B1822A	18" x 22" (45.7 cm x 56 cm) Poly Basin with Adapt-A-Flex Inlet Fitting
507707	TSW-B1830A	18" x 30" (45.7 cm x 76 cm) Basin with Adapt-A-Flex Inlet Fitting

TSW SERIES - 1/3 HP

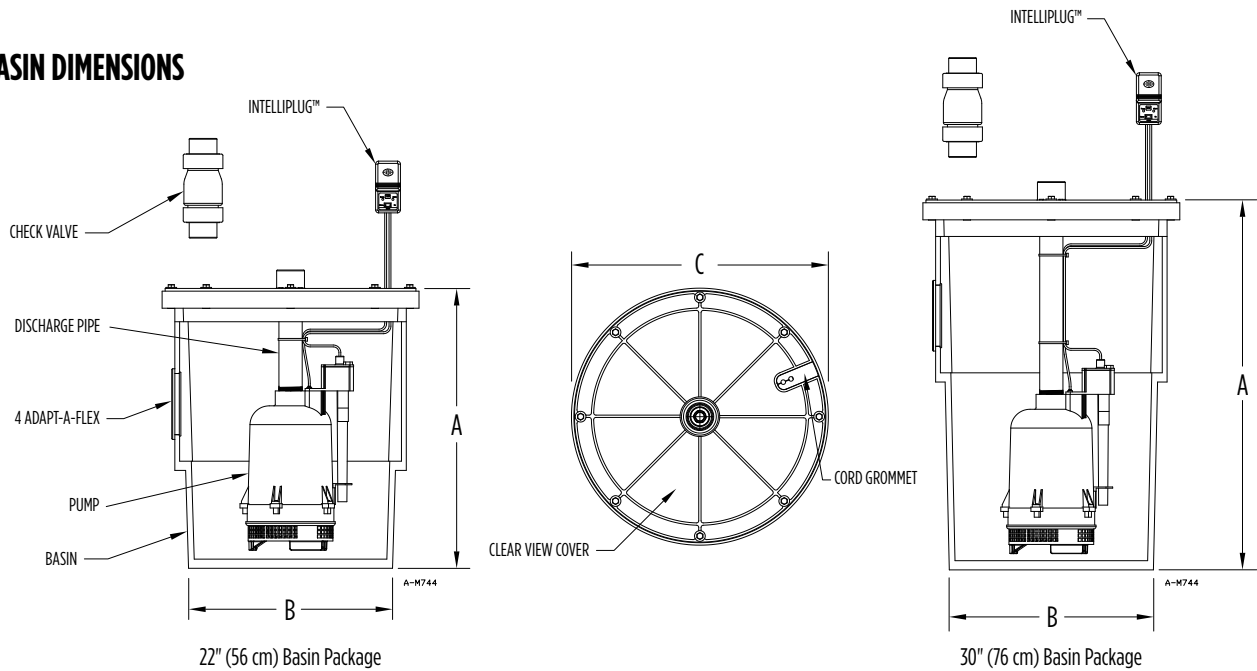
ENGINEERING DATA

PUMP DIMENSIONS



	A	B	C	D
W/O Leg Kit	10" 25.4 cm	11.8" 29.97 cm	9.3" 23.62 cm	8.12" 20.62 cm
W/ Leg Kit	13" 33.02 cm	18.3" 46.48 cm	9.3" 23.62 cm	8.12" 20.62 cm

BASIN DIMENSIONS

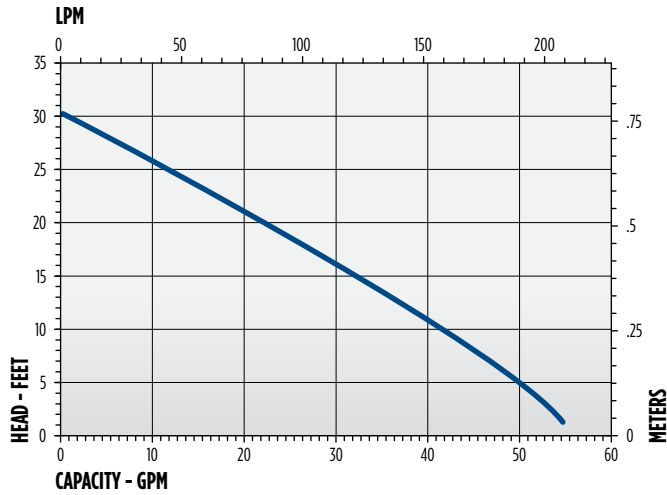


	A	B	C
22" 56 cm	22" 56 cm	15" 38 cm	21" 53 cm
30" 76 cm	30" 76 cm	15" 38 cm	21" 53 cm

SUMP PUMPS

TSW SERIES - 1/3 HP

PERFORMANCE DATA



CONSTRUCTION

Motor Housing	Engineered thermoplastic
Impeller Material	Engineered thermoplastic
Impeller Type	Vortex
Volute	Engineered thermoplastic
Motor Shaft	Stainless steel
Shaft Seal	Mechanical nitrile with carbon ceramic faces
Fasteners	Stainless steel
Bearings	Upper and lower ball bearings
Power Cord	SJTW-16

Clear View Basin Cover	ABS
Basin	Polypropylene
Basin Capacity (approx.)	22" (56 cm) basin - 22 gallons 30" (76 cm) basin - 30 gallons
Discharge Size	1-1/2" (38 mm)
Intake Size	4" Adapt-A-Flex**

** 4" hub available as an option