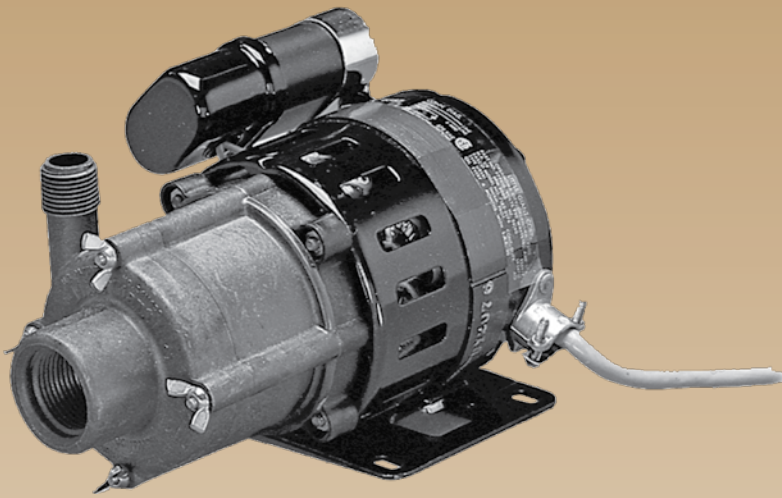


Industrial

5-MD-HC



Applications

- Circulation of highly corrosive acids, alkalis, solvents, brine, plating solutions, sterile solutions, and other highly corrosive chemicals and solutions that are compatible with the pump's material of construction

Features

- Non-submersible for in-line use only
- Thermally protected, open, fan cooled, permanent split capacitor motor
- Sleeve bearings
- 6' power cord with 3-prong plug (no plug on 230 V)
- Specific gravity to 1.1
- Fluid temperature to 200 °F
- Ambient air temperature to 77 °F
- Run-dry capability up to 8 hours

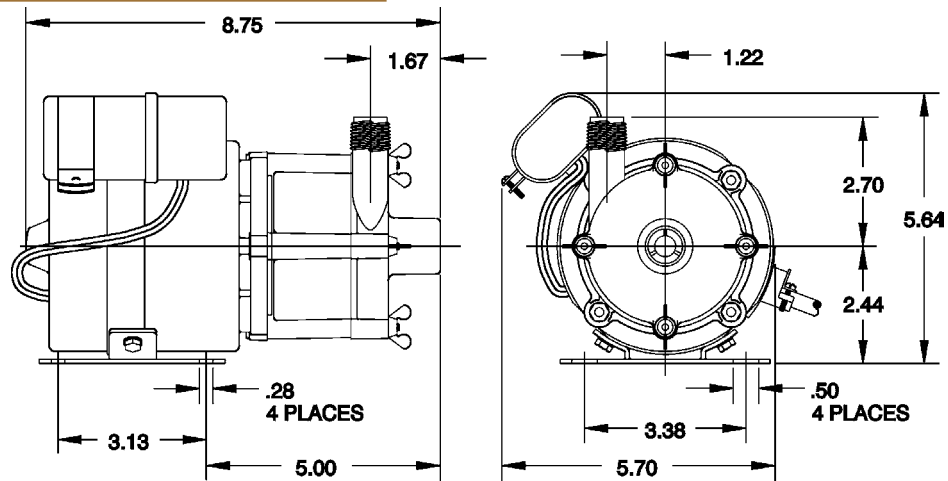
NOTE: Consult your local distributor or the factory for applications with higher ambient temperatures, specific gravities and viscosities.

Construction

- **Volute** — Glass-filled Ryton®
- **Housing** — Glass-filled Ryton®
- **Impeller** — Glass-filled Ryton® w/carbon bushing
- **Shaft** — Ceramic
- **Thrust Washers** — Ceramic
- **O-Ring** — Viton®

LittleGIANT®

Engineering Data

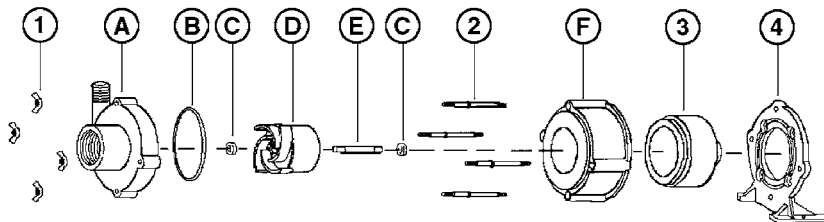


NOTE: Designs and dimensions may vary for various reasons (i.e. type of motor). This information should be used as general guide rather than an unqualified guarantee. Specifications are subject to change without prior notice.

Specifications

Model No.	Item No.	HP	Volts	Hertz	Amps	Watts	Intake Size	Discharge Size	Performance (GPM @ Head, 60 Hz)						Shut Off Feet	PSI	Power Cord (ft.)	Weight (lbs.)
									1'	3'	6'	9'	15'	21'				
5-MD-HC	583603	1/8	115	50/60	2.0	240	1" FNPT	1/2" MNPT	17.5	16.5	15.3	14	10.9	7.1	27.5	11.9	6	9.5
5-MD-HC	583613*	1/8	230	50/60	0.9/0.9	194/180	1" FNPT	1/2" MNPT	17.5	16.5	15.3	14	10.9	7.1	27.5	11.9	6	9.5
5-MD-HC	583698	Pump Head Less Motor						1" FNPT	1/2" MNPT									3

* No plug



Replacement Parts

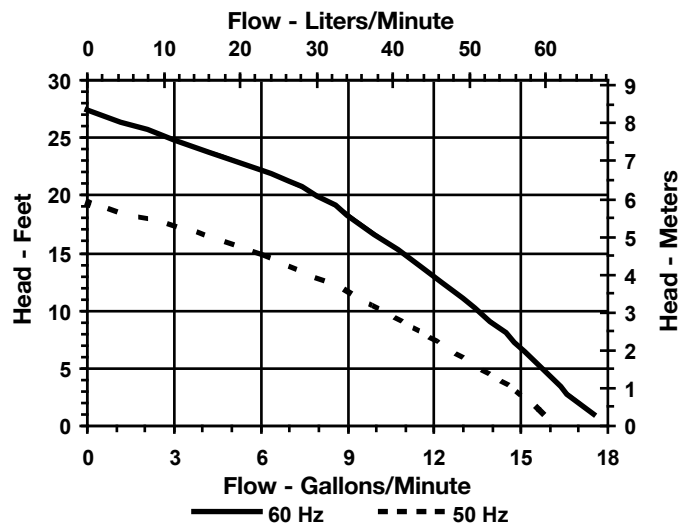
Item	Part Number	Description
A	183066	Volute
B	924008	O-ring
C	921077	Thrust washer
D	183141	Impeller/Bearing
E	180057	Shaft
F	182006	Housing
1	920003	Wing nut
2	911403	Stud, collared
3	183602	Drive magnet
4	183037	Mouning bracket

Note: Parts A-F contact fluid

Viton® is a registered trademark of Dupont Performance Elastomers

Ryton® is a registered trademark of Chevron Phillips Chemical Company

Performance Data



P.O. Box 12010
Oklahoma City, OK 73157-2010
Phone: 1.800.701.7894
Fax: 1.800.678.7867
www.LittleGiantPump.com