

APPLICATIONS

- Ideal for handling raw sewage
- Commercial dewatering sump applications with up to 2" solids

FEATURES

- Oil-free permanent split capacitor (PSC) motor
- Designed for continuous duty
- 2" FNPT (51 mm) discharge
- Handles solids up to 2" (51 mm) diameter
- Power cord sealed at motor housing
- 140 °F (60 °C) liquid temperature rating
- cCSAus listed

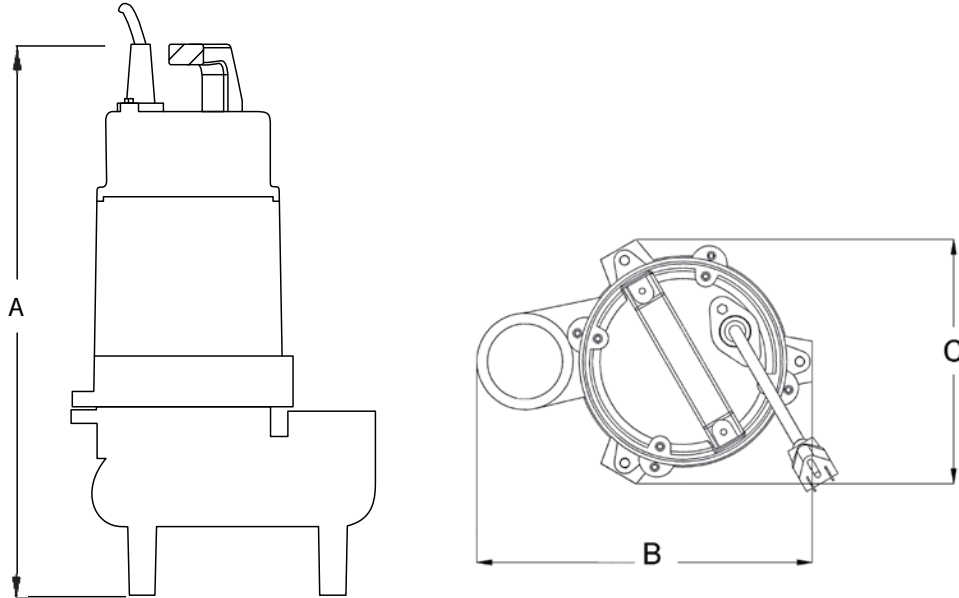


SERIES SPECIFICATIONS

Volts	Hz	Amps		Watts	Performance (GPM @ Height in Feet)				Shut-Off (ft)	PSI
		FLA	Start		5'	10'	15'	20'		
115	60	6	12	650	90	75	57	35	25	10.8

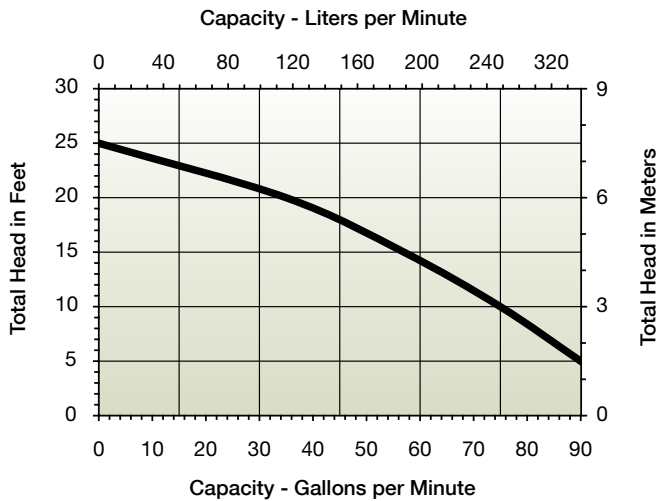
Item No.	Model	HP	Volts	Switch Type/ Operation	On Level	Off Level	Cord	Weight
620236	WSV52HAM	1/2	115	Piggyback Mechanical Float Switch	Adjustable	Adjustable	20' 6.1 m	57 lbs 25.85 Kg
620235	WSV52HM	1/2	115	Manual	-	-	20' 6.1 m	55 lbs 24.95 Kg

ENGINEERING DATA



A	B	C
15.75" 40 cm	8.78" 22.3 cm	6.38" 16.21 cm

PERFORMANCE DATA



CONSTRUCTION

Motor Housing	Cast iron
Impeller Material	Cast iron
Impeller Type	Vortex
Volute	Cast iron
Motor Shaft	Stainless steel
Shaft Seal	Carbon/ceramic
Fasteners	Stainless steel
Bearings	Upper and lower ball bearings
Power Cord	SJOW