

### APPLICATIONS

- Water transfer or recirculation and general construction dewatering

### FEATURES

- 1/2 hp or 1 hp permanent split capacitor (PSC) motor with overload protection
- Designed for continuous duty
- 2" MNPT discharge
- 120 °F (49 °C) liquid temperature rating
- cCSAus listed



FLS-400

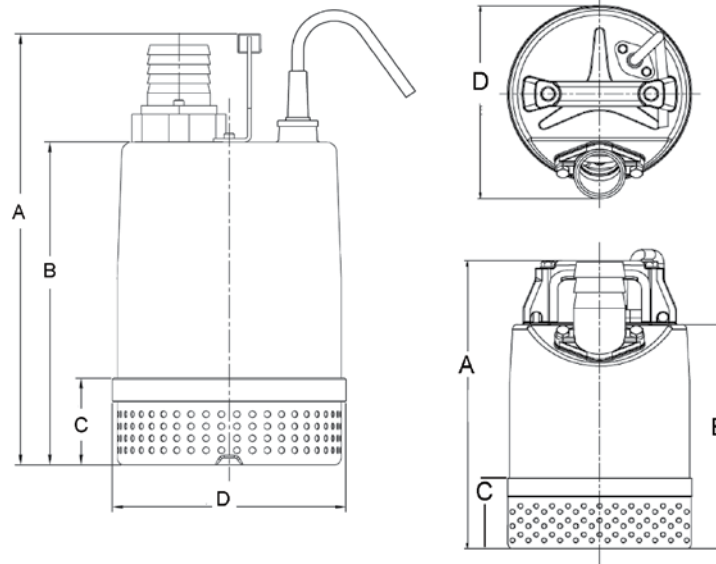
FL-750

### SERIES SPECIFICATIONS

HP	Volts	Hz	Amps		Watts	Performance (GPM @ Height in Feet)						Shut-Off (ft)	PSI
			FLA	Start		5'	10'	15'	20'	30'	40'		
1/2	115	60	5	24	488	60	54	42	20	-	-	37	16
1	115	60	10	47.6	950	80	76	73	68	54	38	52	22.5

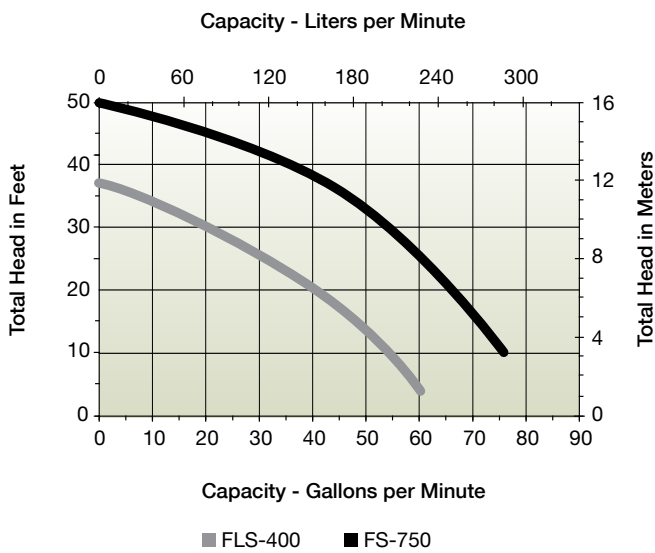
Item No.	Model	Volts	Switch Type/ Operation	Cord	Weight
620240	FLS-400	115	Manual	20' 6.1 m	24 lbs 10.89 Kg
620241	FS-750	115	Manual	20' 6.1 m	35 lbs 15.88 Kg

ENGINEERING DATA



Model	A	B	C	D
FLS-400	11.93" 30.30 cm	9.3" 23.62 cm	2" 5.08 cm	7.99" 20.29 cm
FL-750	13.94" 35.41 cm	10.79" 27.41 cm	2.84" 7.21 cm	7.24" 18.39 cm

PERFORMANCE DATA



CONSTRUCTION

Motor Housing	Stainless steel
Impeller Material	Urethane rubber (620240) Balance ductile iron (620241)
Impeller Type	Semi-open
Volute	Cast iron
Motor Shaft	Stainless steel
Seals	Double mechanical seals (lower - silicon carbide on silicon carbide upper - carbon on ceramic)
Fasteners	Plated steel
Bearings	Upper and lower ball bearings
Power Cord	SJTW 14/3