

### APPLICATIONS

- Dewatering and water transfer



### FEATURES

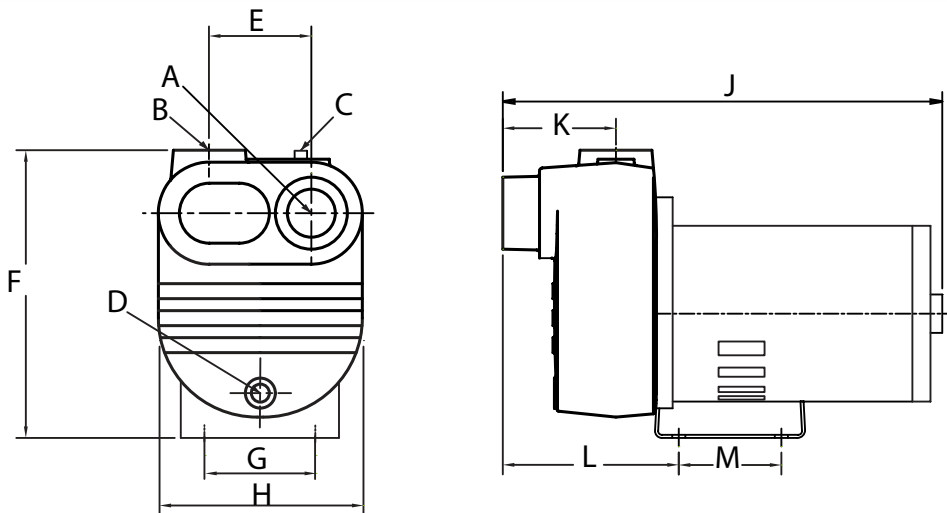
- 1/2 hp higher than NEMA service factor, dual compartment motor
- Cast iron casing with large chamber for self-priming
- Carbon/ceramic mechanical seal
- Semi-open, cast iron impeller
- Includes garden hose adapter
- 120 °F (49 °C) liquid temperature rating

### SERIES SPECIFICATIONS

Volts	Hz	Amps		Watts	Performance (GPM @ Height in Feet)			Shut-Off (ft)	PSI
		FLA	Start		20'	30'	40'		
115/230	60	9.0/4.5	26.3	925	45	31	16	50	21.06

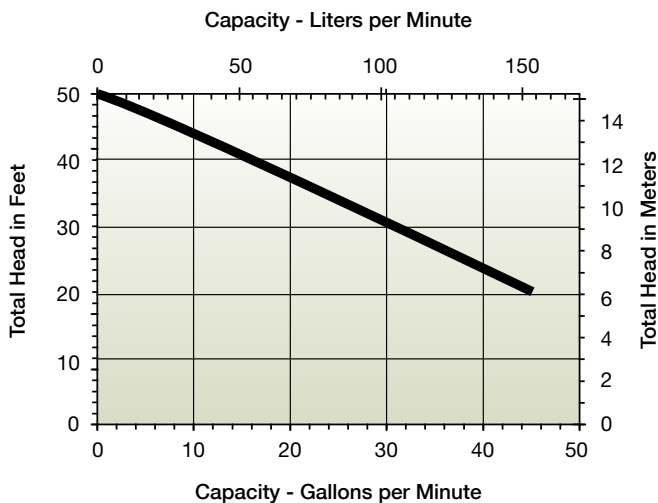
Item No.	Model	Volts	Switch Type/ Operation	Cord	Weight
621814	B50S	1/60/115/230 Capacitor Start	Manual	8' 20.32 cm	43 lbs 19.5 Kg

ENGINEERING DATA



A	B	C	D	E	F	G	H	J	K	L	M
1-1/4" NPT	1-1/4" NPT	1/2" NPT	1/2" NPT	4.25"	10.5"	4.9"	7.6"	20"	3.1"	6.8"	3"
3.18 cm	3.18 cm	1.27 cm	1.27 cm	10.8 cm	26.67 cm	12.45 cm	19.3 cm	50.8 cm	7.87 cm	17.27 cm	7.62 cm

PERFORMANCE DATA



CONSTRUCTION

Motor Housing	Cast iron
Impeller Material	Cast iron
Impeller Type	Semi-open
Volute	Cast iron
Motor Shaft	Stainless steel
Seals	Carbon/ceramic mechanical seals
Fasteners	Plated steel
Bearings	Ball
Power Cord	SJTW 16/3