

# WS EFFLUENT SERIES 1/3 HP, 1/2 HP, 1 HP

## APPLICATIONS

- Effluent wastewater removal • Dewatering
- Water transfer

## FEATURES

- Oil-filled motor
- Designed for high torque with automatic reset
- Piggyback mechanical float option available for automatic operation
- 2" NPT (51 mm) discharge
- Handles solids up to 3/4" (19 mm) diameter
- 120 °F (49 °C) liquid temperature rating
- cCSAus listed

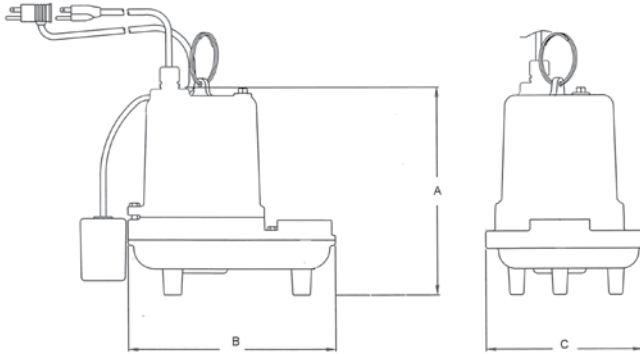


## SERIES SPECIFICATIONS

Item No.	Model	HP	Volts	Phase	HZ	Amps		Watts	Performance (GPM @ Height in Feet)												Shut-Off (ft)	PSI
						FLA	Start		5'	10'	15'	20'	25'	30'	35'	40'	45'	50'	60'	80'		
620010	WS30M	1/3	115	1	60	10.4	50.4	1000	-	-	70	45	15	-	-	-	-	-	-	-	28	12
620000	WS30AM	1/3	115	1	60	10.4	50.4	1000	-	-	70	45	15	-	-	-	-	-	-	-	28	12
620231	WS50M-20	1/2	115	1	60	11.6	26.9	950	105	92	80	64	50	-	-	-	-	-	-	-	42	18.2
620233	WS50AM-20	1/2	115	1	60	11.6	26.9	950	105	92	80	64	50	-	-	-	-	-	-	-	42	18.2
620251	WS50M-12-20	1/2	208-230	1	60	9.7	32.6	1100	105	92	80	64	-	-	-	-	-	-	-	-	42	18.2
620253	WS50AM-12-20	1/2	208-230	1	60	9.7	32.6	1100	105	92	80	64	50	-	-	-	-	-	-	-	42	18.2
620200	WS50HM	1/2	115	1	60	15	26.9	1100	-	-	107	98	88	78	67	57	43	30	-	-	63	27.3
620218	WS50HM-20	1/2	115	1	60	15	26.9	1470	-	115	107	98	88	78	67	57	43	30	-	-	63	27.3
620219	WS50HAM-20	1/2	115	1	60	15	26.9	1470	-	115	107	98	88	78	67	57	43	30	-	-	63	27.3
620220	WS50HM-12-20	1/2	208-230	1	60	9.7	32.6	1540	-	115	107	98	88	78	67	57	43	30	-	-	63	27.3
620221	WS50HAM-12-20	1/2	208-230	1	60	9.7	32.6	1540	-	115	107	98	88	78	67	57	43	30	-	-	63	27.3
620222	WS100HM-12-20	1	208-230	1	60	13.6	46.9	2660	-	150	145	140	134	128	121	115	106	97	76	27	90	39
620223	WS100HAM-12-20	1	208-230	1	60	13.6	46.9	2660	-	150	145	140	134	128	121	115	106	97	76	27	90	39
620207	WS100HM-32	1	208-230	3	60	6.2/6.4	16.7	2340	-	150	145	140	134	128	121	115	106	97	76	27	90	39
620206	WS100HM-34	1	460	3	60	3.1	16.7	2000	-	150	145	140	134	128	121	115	106	97	76	27	90	39

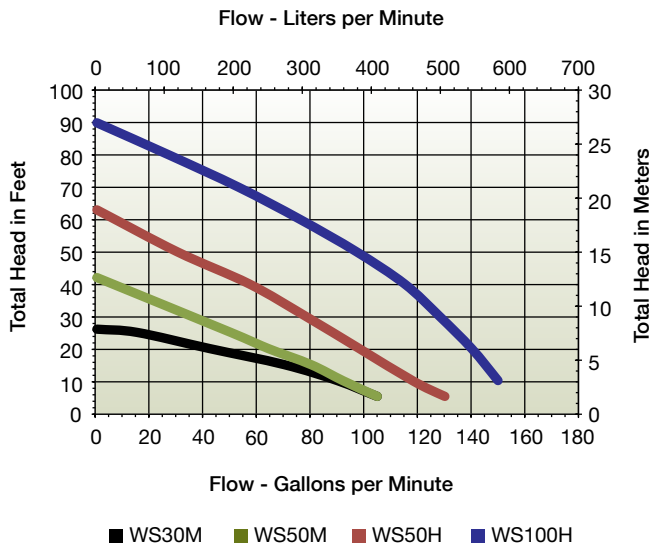
Item No.	Model	Volts	Switch Type/ Operation	On Level	Off Level	Cord	Weight
620010	WS30M	115	Manual	-	-	20' - 6.1 m	51 lbs - 22.68 Kg
620000	WS30AM	115	Piggyback Mechanical Float Switch	Adjustable		20' - 6.1 m	53 lbs - 24.04 Kg
620231	WS50M-20	115	Manual	-	-	20' - 6.1 m	55 lbs - 24.95 kg
620233	WS50AM-20	115	Piggyback Mechanical Float Switch	Adjustable		20' - 6.1 m	57 lbs - 25.85 Kg
620251	WS50M-12-20	208-230	Manual	-	-	20' - 6.1 m	56 lbs - 25.40 Kg
620253	WS50AM-12-20	208-230	Piggyback Mechanical Float Switch	Adjustable		20' - 6.1 m	58 lbs - 26.31 Kg
620200	WS50HM	115	Manual	-	-	30' - 9.1 m	57 lbs - 35.85 Kg
620218	WS50HM-20	115	Manual	-	-	20' - 6.1 m	56 lbs - 25.40 Kg
620219	WS50HAM-20	115	Piggyback Mechanical Float Switch	Adjustable		20' - 6.1 m	58 lbs - 26.31 Kg
620220	WS50HM-12-20	208-230	Manual	-	-	20' - 6.1 m	56 lbs - 25.40 Kg
620221	WS50HAM-12-20	208-230	Piggyback Mechanical Float Switch	Adjustable		20' - 6.1 m	58 lbs - 26.31 Kg
620222	WS100HM-12-20	208-230	Manual	-	-	20' - 6.1 m	57 lbs - 25.85 Kg
620223	WS100HAM-12-20	208-230	Piggyback Mechanical Float Switch	Adjustable		20' - 6.1 m	59 lbs - 26.76 Kg
620207	WS100HM-32	208-230	Manual	-	-	30' - 9.1 m	62 lbs - 28.12 Kg
620206	WS100HM-34	460	Manual	-	-	30' - 9.1 m	62 lbs - 28.12 Kg

ENGINEERING DATA



Model	A	B	C
WS30	11.25" 28.58 cm	4.68" 11.89 cm	9.38" 23.83 cm
WS50	13.75" 34.93 cm	4.68" 11.89 cm	9.38" 23.83 cm
WS50H	13.75" 34.93 cm	4.68" 11.89 cm	9.38" 23.83 cm
WS100H	13.75" 34.93 cm	4.68" 11.89 cm	9.38" 23.83 cm

PERFORMANCE DATA



CONSTRUCTION

Motor Housing	Cast iron
Impeller Material	Cast iron
Impeller Type	Non-clog
Volute	Cast iron
Motor Shaft	Stainless steel
Shaft Seal	Carbon/ceramic
Fasteners	Stainless steel
Bearings	Upper and lower ball bearings
Power Cord	SJOW