

SUMP PUMPS

HT-6E SERIES (HIGH TEMPERATURE) 1/3 HP

APPLICATIONS

- Boiler blow-down sump pits • Transformer vaults
- Water transfer • Light effluent

FEATURES

- Shaded pole motor with thermal overload protection
- Designed for continuous duty
- 1-1/2" FNPT discharge (38 mm)
- Handles up to 1/2" (12.7 mm) solids
- Integral mechanical float switch
- Up to 200 °F (93 °C)
- CSA listed

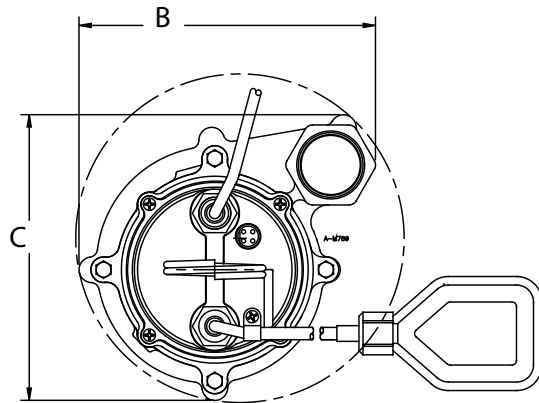
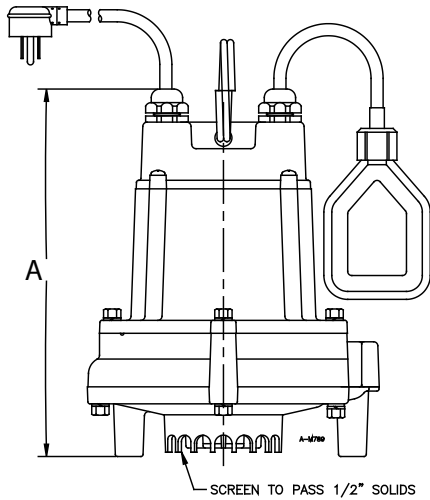


SERIES SPECIFICATIONS

Volts	Hz	Amps		Watts	Performance (GPM @ Height in Feet)			Shut-Off (ft)	PSI
		FLA	Start		5'	10'	15'		
115	60	10.1	17	735	50	42	27	20	8.7

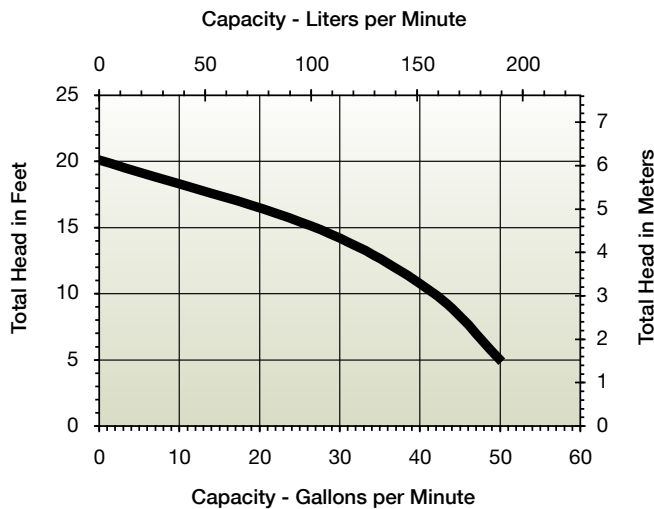
Item No.	Model	HP	Volts	Switch Type/ Operation	On Level	Off Level	Cord	Weight
506600	HT-6E-CIA-FS	1/3	115	Integral Mechanical Float	11" - 14" 27.94 cm - 35.56 cm	2" - 4" 5.08 cm - 10.16 cm	15' 4.6 m	32 lbs 14.52 Kg

ENGINEERING DATA



A	B	C
10.9" 27.7 cm	8.8" 22.4 cm	8.5" 21.6 cm

PERFORMANCE DATA



CONSTRUCTION

Motor Housing	Epoxy-coated cast iron
Impeller Material	Nylon
Impeller Type	Vortex
Volute	Epoxy-coated cast iron
Motor Shaft	Cold rolled steel
Mechanical Shaft Seal	Stainless steel, carbon, and Ni-Resist faces
Fasteners	Stainless steel
Bearings	Upper and lower: Oil-impregnated, porous iron/copper, flanged
Power Cord	16-3 SJOW-A, chlorinated polyethylene