

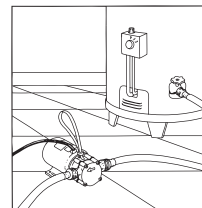
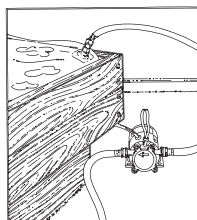
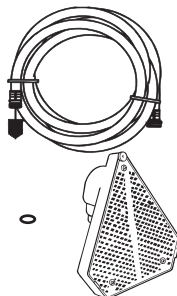
Little GIANT®

Little Giant
P. O. Box 12010
Oklahoma City, OK 73157-2010
405.947.2511 • Fax: 405.947.8720
www.LittleGiantPump.com
CustomerService-WTS@fele.com

HSS-360 HOSE/SUCTION ADAPTOR/STRAINER KIT

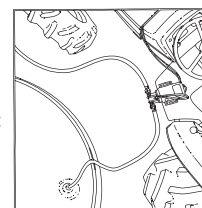
KIT CONTENTS:

- 6' INLET HOSE
- INLET STRAINER
- SUCTION ADAPTER
- HOSE GASKET

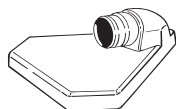


USE TO REMOVE WATER FROM:

- WATER BEDS
- WATER HEATERS
- CATTLE TANKS

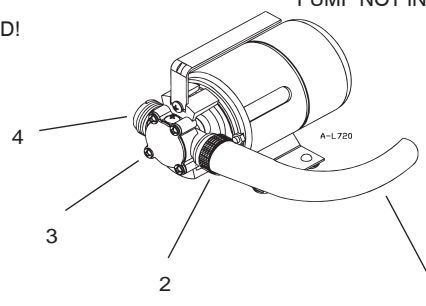


USE INLET STRAINER TO
PREVENT LARGE
PARTICLES FROM
DAMAGING PUMP



SUCTION ADAPTER ALLOWS YOU TO
DRAIN TO WITHIN 1/8".
ENSURE THAT SUCTION ADAPTER
INLET SLOTS ARE KEPT FREE OF
DEBRIS OR PUMP WILL BE DAMAGED!

DISCHARGE HOSE AND
PUMP NOT INCLUDED



SAFETY GUIDELINES



Read the instruction sheet for your series 360 or 365 pump carefully before attempting to connect this kit or operate the pump.

Be certain that the pump is positioned safely away from the water; **these pumps are not submersible.**

CALIFORNIA PROPOSITION 65 WARNING: This product contains chemicals known to the State of California to cause cancer or reproductive toxicity. Wash hands after handling.

DESCRIPTION

The HSS-360 kit is designed to be used with a series 360 (115VAC) or 365 (12VDC) pump. The suction adapter allows the pumping of fluid down to 1/8" on hard, flat surfaces, and the inlet strainer prevents pump damage from large particles in cattle tanks, bait tanks, streams, etc.

INSTALLATION

Refer to the above illustration and the following instructions to install your kit:

1. Find the arrow marked "outlet port" on the front cover of the pump head (3). This arrow points in the direction of flow of the liquid being pumped.

2. With the hose gasket in place to ensure that no leakage occurs, connect the female end of the 6' inlet hose (1) to the inlet port (2), hand-tightening only.
3. Attach the inlet strainer OR the suction adapter by threading it onto the male end of the inlet hose.
4. Connect the outlet hose (not supplied) to the outlet port (4), hand-tightening only. A 6' to 50' standard garden hose may be used.
5. Ensure that there are no air leaks at the connection or in the hose, and that the intake flow is unobstructed; priming will not occur and pump damage may result otherwise.
6. Follow the instructions supplied with your pump for further operation.