

# Industrial

## NK-1 Series



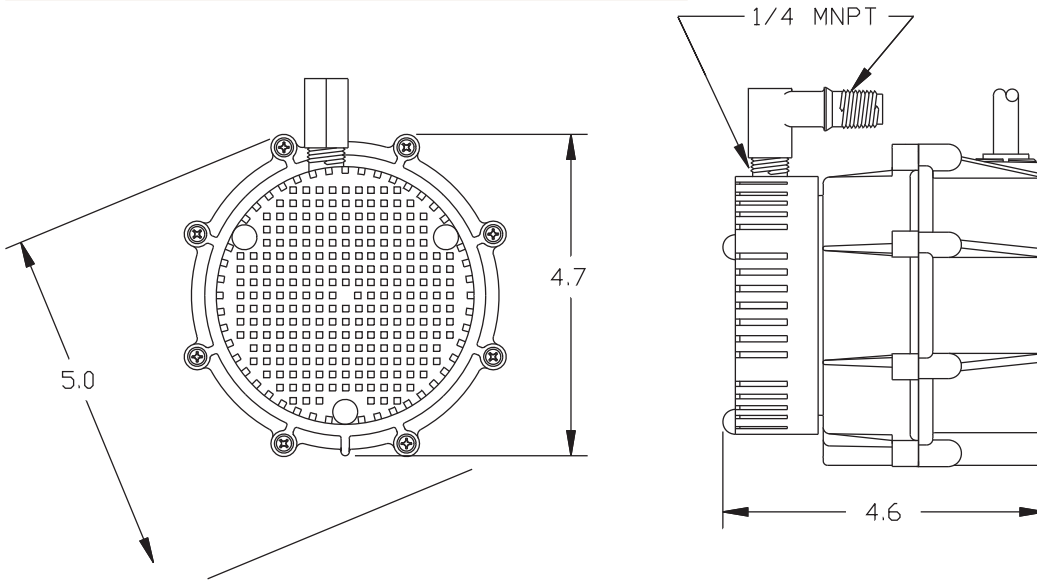
### Features

- Corrosion resistant nylon body
- Oil-filled motor
- 10.2' maximum lift
- 70 watts
- 1/4" MNPT discharge
- Thermal overload protection
- For submersible use only

### Construction

- **MOTOR** – 1/150 HP oil filled
- **INTERMITTENT LIQUID TEMPERATURE UP TO** – 120°F
- **INTAKE** – N/A
- **DISCHARGE** – 1/4" MNPT
- **HOUSING** – Nylon
- **COVER** – Nylon
- **VOLUTE** – Nylon
- **IMPELLER** – Nylon
- **SHAFT SEAL** – Viton®
- **SCREEN** – Polyethylene

## Dimensional Outline



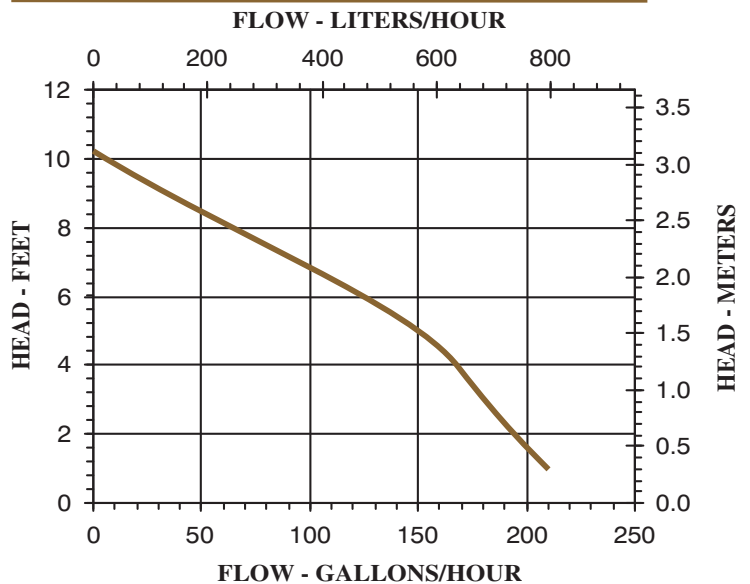
## Specifications

Model No.	Item No.	Discharge Size	HP	Volts	Hertz	Amps	Watts	Performance (GPH@Head)			Shutoff		Cord Length (ft.)	Weight (lbs.)
								1'	3'	5'	Ft.	P.S.I.		
NK-1	526003	1/4" MNPT	1/150	115	60	1.1	70	210	180	150	10.2	4.4	6	3.67

## Replacement Parts

Volute	116375
Impeller	116437
Screen	101376
Seal Ring	928007
Backplate	126377
Elbow	943076

## Performance Data



P.O. Box 12010  
 Oklahoma City, OK 73157-2010  
 Phone: 1.800.701.7894  
 Fax: 1.800.678.7867  
[www.LittleGiantPump.com](http://www.LittleGiantPump.com)