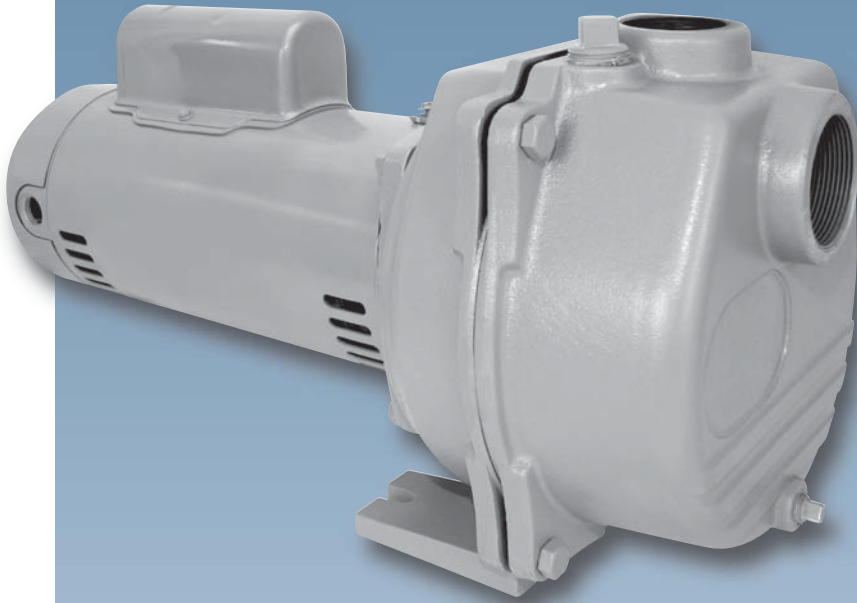


Water Systems

Lawn Sprinkler Pumps



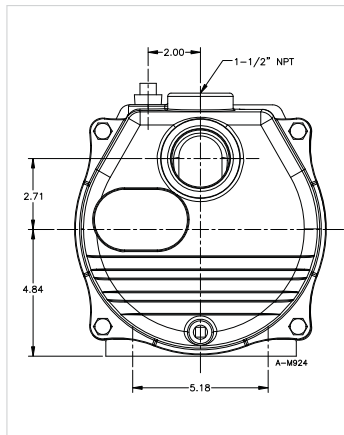
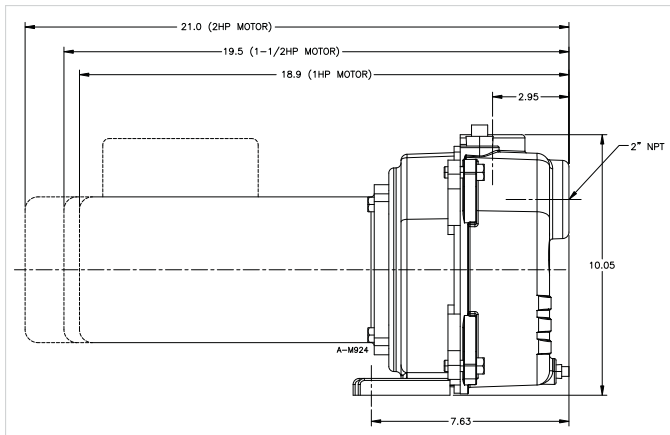
Applications:

- Ideal for both residential and commercial lawn and turf sprinkler systems, irrigation, gardens and general water transfer

Features:

- Self-priming
- Cast Iron casing and seal plate for durability and long life
- A.O. Smith higher than standard NEMA service factor dual compartment motor
- Single-phase capacitor start
- Standard 5/8" rotating mechanical seal, for a reliable seal against water leakage
- Dual voltage 115/230V
- 2" NPT suction, 1-1/2" NPT discharge
- Priming plug to facilitate priming
- Drain plug for easy drainage of pump
- Fully serviceable with two-year warranty

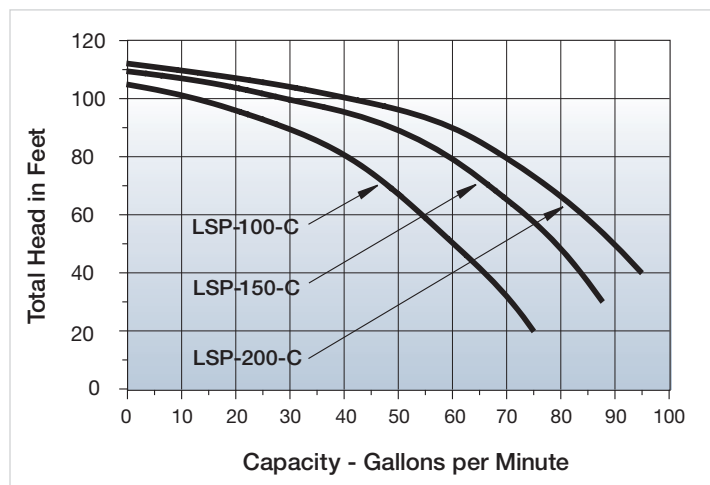
Dimensional Outlines:



Specifications:

| Item # | Model | HP | Pump Capacity GPM (LPM) Discharge Pressure in PSI @ 5' (1.5 m) Lift | | | | Maximum Pressure |
|--------|-----------|-------|---|------------|------------|------------|-----------------------------|
| | | | 10 | 20 | 30 | 40 | |
| 558294 | LSP-100-C | 1 | 72 (272.5) | 62 (234.7) | 46 (174.1) | 20 (75.7) | 46 (3.3kg/cm ²) |
| 558295 | LSP-150-C | 1-1/2 | 90 (340.7) | 80 (302.9) | 64 (242.3) | 40 (151.4) | 47 (3.3kg/cm ²) |
| 558296 | LSP-200-C | 2 | 97 (367.2) | 90 (340.7) | 74 (280.1) | 47 (177.9) | 48 (3.4kg/cm ²) |

Performance:



P.O. Box 12010
 Oklahoma City, OK 73157-2010
 Phone: 1.800.701.7894
 Fax: 1.800.678.7867
 www.LittleGiantPump.com

©2008 Franklin Electric Co., Inc.
 Little Giant® is a registered trademark of Franklin Electric Co., Inc.
 Form 995261 1/08

LittleGIANT®
 Pumps. People. Partnerships.