

2-ABS Series



Applications

- Utilizing a sealed submersible pump, the 2-ABS is ideal for in-pan placement for condensate removal. An integrated unique float switch design assures reliability and security while providing easy access to the float for servicing.

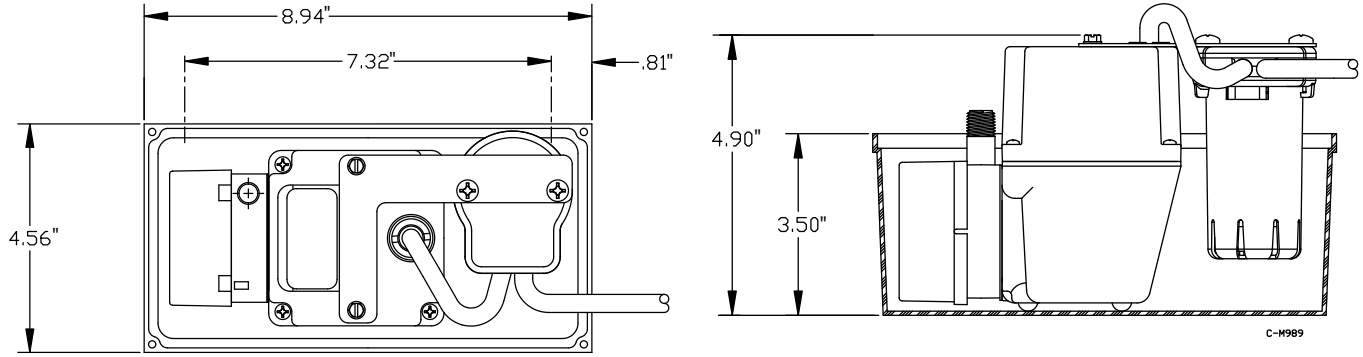
Features

- Permanently lubricated motor bearings requires no maintenance during life of pump
- Oil-filled to maximize heat dissipation
- Epoxy-coated cast aluminum pump housing
- Easy to remove float housing for servicing
- Includes removable inlet filter screen
- 1/4" MNPT discharge is suitable for 1/2" I.D. vinyl tubing
- Automatic operation:
On level: 3" Off Level: 2"
- Suitable for intermittent water temperature up to 120 °F
- Includes 9 ft power cord with molded plug (115 V version)

Construction

- Motor – 1/40 hp
- Discharge – 1/4" MNPT
- Housing – Epoxy-coated cast aluminum
- Cover – Epoxy-coated cast aluminum
- Volute – Nylon
- Impeller – Nylon
- Shaft Seal – Nitrile
- Screen – Polyethylene
- Switch Bracket – Stainless steel

Dimensional Outlines



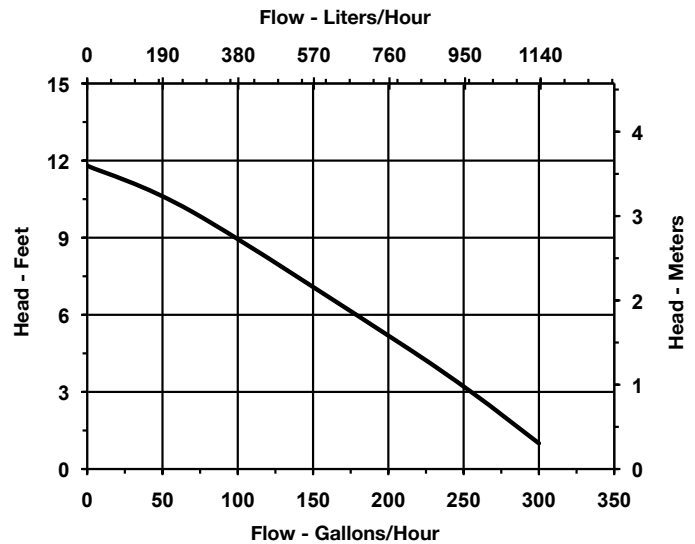
Specifications

Item #	Model	Discharge	HP	Volts	Hertz	Amps	Watts	Performance (GPH @ Head)				Shut Off (ft)	PSI	Power Cord (ft)	Weight (lbs)
								1'	3'	5'	10'				
551020	2-ABS	1/4"	1/40	115	60	1.7	100	300	255	205	70	11.8'	5.1	9'	6.8
551030	2-ABS	1/4"	1/40	230	50/60	0.9/0.7	100	300	255	205	70	11.8'	5.1	11'	7.0

Replacement Parts

Tank	150102
Volute	102378
Impeller	102470
Seal Ring	102601
Screen	102376
Float Replacement	950061
Float Screen	950284

Performance Data



Franklin Electric
P.O. Box 12010
Oklahoma City, OK 73157-2010
Phone: 1.800.701.7894
Fax: 1.800.678.7867
www.LittleGiantPump.com